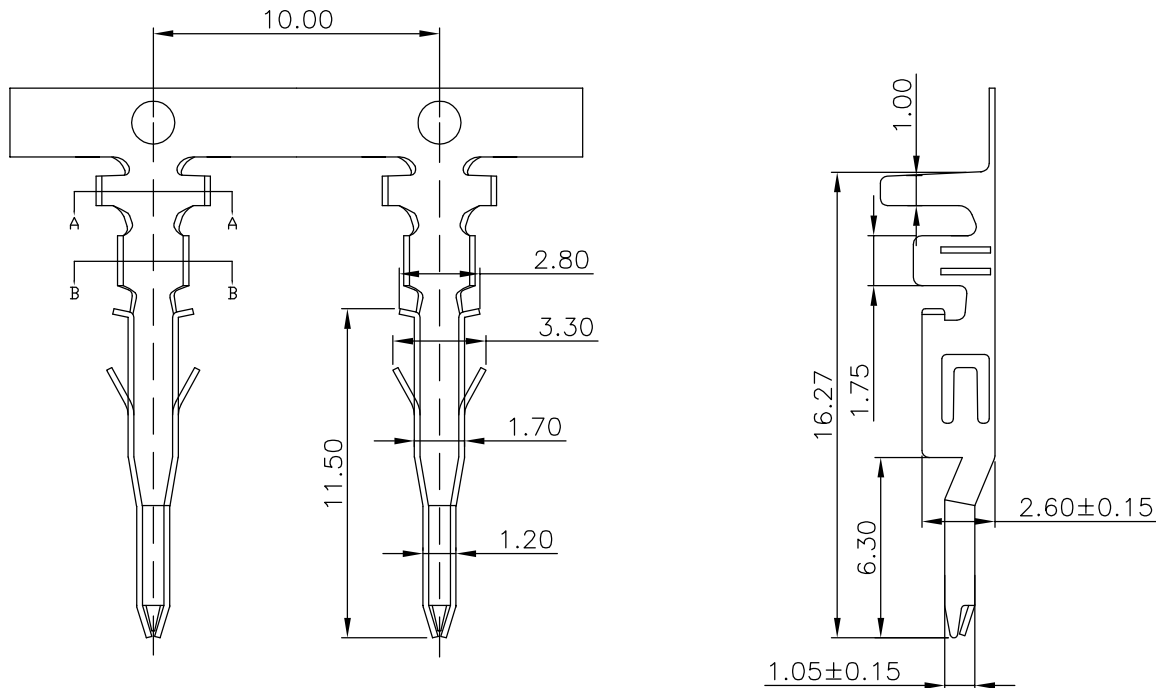


The product using material and processing must conform to the "WI-PZ-001" HSF technical standard control requirements

RoHS



NOTE:

- 1.MATERIAL SPECIFICATION:
1-1.CONTACTS: SEE P/N
- 2.PLATING SPECIFICATION:
2-1.CONTACTS:
TIN/GOLD PLATED OVER ALL.
- 3.ELECTRICAL PERFORMANCE:
3-1.CURRENT RATING: 9A
3-2.CONTACT RESISTANCE: 10 mΩ MAX
3-3.INSULATION RESISTANCE: 1000MΩ Min
3-4.DIELECTRIC WITHSTANDING : 1500V
- 4.ENVIRONMENTAL PERFORMANCE:
4-1.OPERATING TEMPERATURE: -25°C~+85°C.
- 5.PACKAGE SPEC: REEL
- 6.P/N:

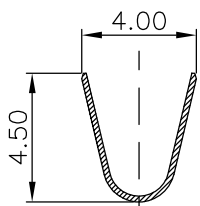
C4201 T X M X-X

SERIES NO: _____
CONNECTOR: _____
T-TERMINAL _____
TYPE CODE: _____
1-NORMAL _____
2-HIGH _____

MALE FEMALE: _____
M-MALE _____

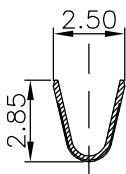
PLATING:
1-G/F
A-ALL AU G/F
C-BRIGHE TIN
D-MATTE TIN

METAL:
P-PHOSPHOR BRONZE
B-BRASS
H-High conductivity copper

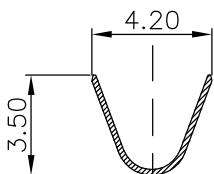


SEC:A-A

FEATURE TYPE:HIGH

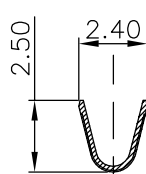


SEC:B-B

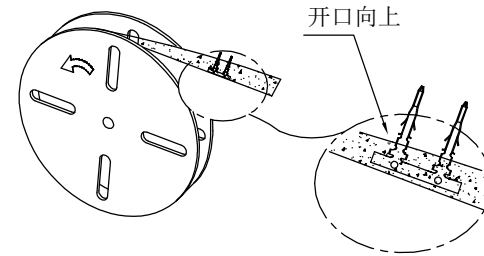


SEC:A-A

FEATURE TYPE: NORMAL



SEC:B-B



Ordering Information & Specifications

FEATURE TYPE	Wire Range	Insulation O.D.	Qty/reel
NORMAL	AWG#18-#22	3.00mm(max)	5,000pcs
HIGH	AWG#16-#20	3.10mm(max)	5,000pcs

REV.	REVISION RECORD	DATE	GENERAL TOLERANCES		SCALE:	NAME	DATE	PART.NO:	DWG.NO:	 WanLian Technology Co., Ltd REV: A0 SHEET: 1/1
A0	NEW RELEASE	21.11.17	LINEAR	ANGLES	1:1	Wang_jr	21.11.17	C4201TXMX-X	ENDE05	
			0.0±0.35	X'REF±6°	APPROVED	Han_Gao	21.11.17	TITLE:		
			0.00±0.25	X'±3°	CHECK	Zijun_Huang	21.11.17	Pitch 4.2mm Male 端子		
			UNIT:mm	X'X' ±2°	DRAWN					
			SIZE: A4	0.000±0.10						