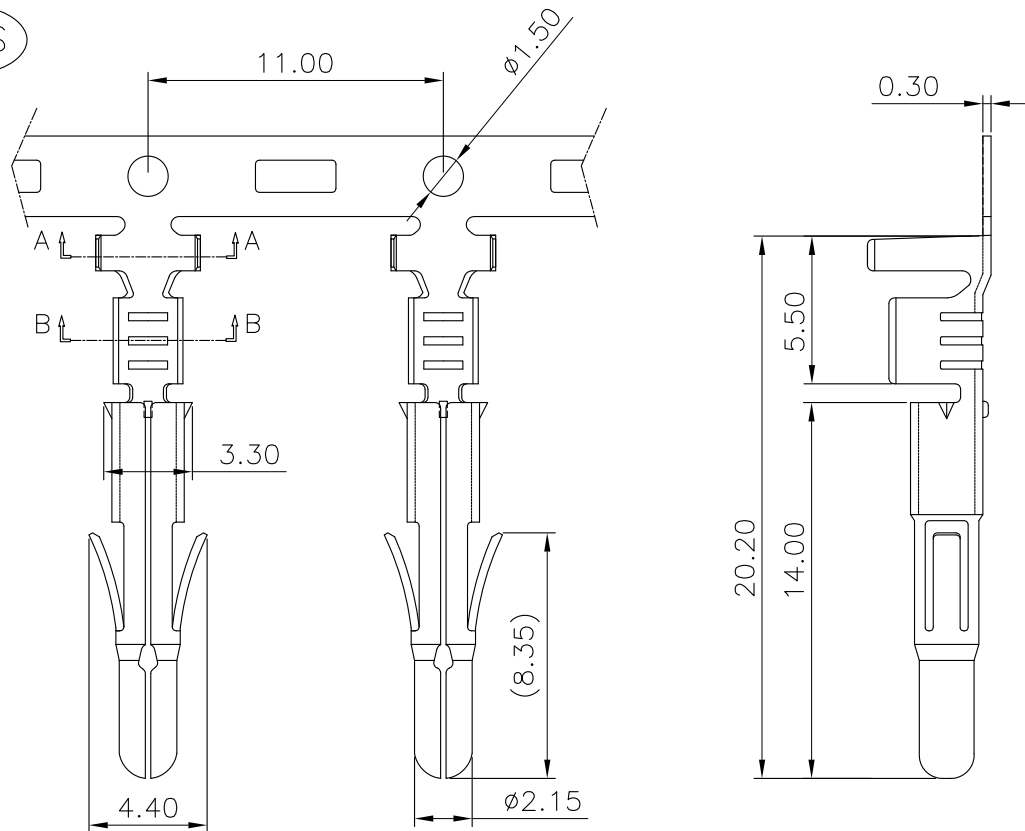


The product using material and processing must conform to the "WI-PZ-001"HSF technical standard control requirements

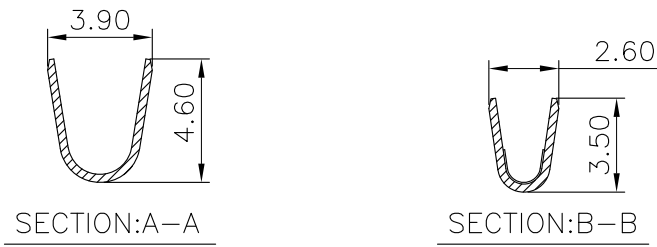
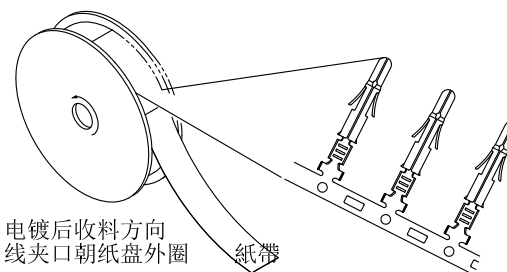
RoHS




NOTE:

- 1.MATERIAL SPECIFICATION:
1-1.TERMINAL: BRASS
- 2.PLATING SPECIFICATION:
2-1.TERMINAL:
TIN/GOLD FLASH PLATED OVER ALL.
- 3.ELECTRICAL PERFORMANCE:
3-1.CURRENT RATING: 15A
RATED VOLTAGE : 600V
3-2.CONTACT RESISTANCE: 3.5 mΩ MAX
3-3.INSULATION RESISTANCE: 1000MΩ Min
3-4.DIELECTRIC WITHSTANDING : 5000V AC
- 4.ENVIRONMENTAL PERFORMANCE:
4-1.OPERATING TEMPERATURE: -25°C~+85°C.
- 5.PACKAGE SPEC : REEL
- 6.P/N:

SERIES NO: C6351 T 1 M X-X
CONNECTOR: T-TERMINAL
TYPE CODE: X-X
MALE FEMALE: F-FEMALE M-MALE
PLATING: C-BRIGHT TIN
METAL: P-PHOSPHOR BRONZE B-BRASS



| REV. | REVISION RECORD | DATE | UNIT:mm | GENERAL TOLERANCES | | SCALE: 1:1 | NAME | DATE | PART.NO: | DWG.NO: |  WanLian Technology Co., Ltd |
|------|-----------------|----------|----------|--------------------|----------|---------------|-------------|----------|------------------|-------------|--|
| A0 | NEW RELEASE | 22.03.19 | | | LINEAR | ANGLES | APPROVED | Wang_jr | 22.03.19 | C6351T1MX-X | |
| | | | | 0.0±0.35 | X°REF±6° | CHECK | XueZe_Ma | 22.03.19 | TITLE: | | REV: A0 |
| | | | SIZE: A4 | 0.00±0.25 | X°±3° | DRAWN | LanXuan_Hou | 22.03.19 | Pitch 6.35mm 公端子 | | SHEET: 1/1 |
| | | | | 0.00±0.10 | X°X' ±2° | | | | | | |