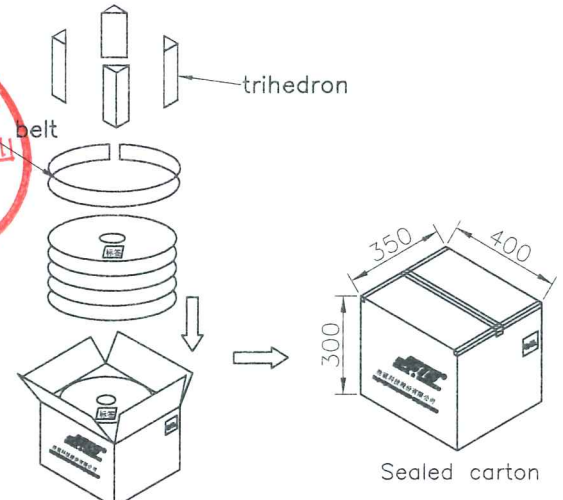
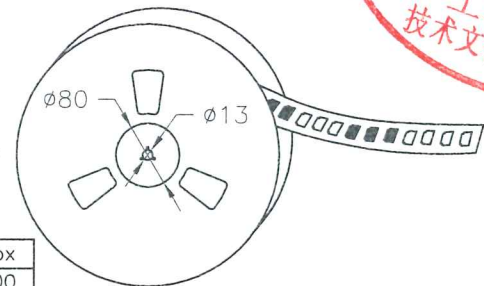
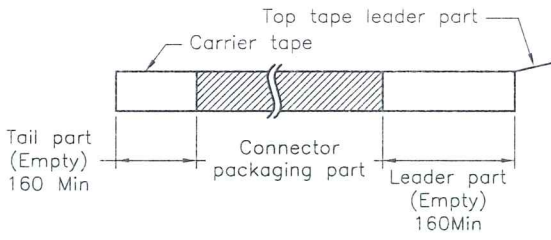
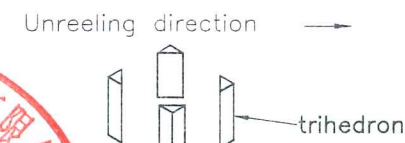
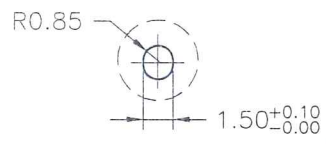
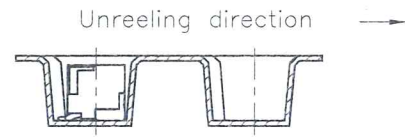
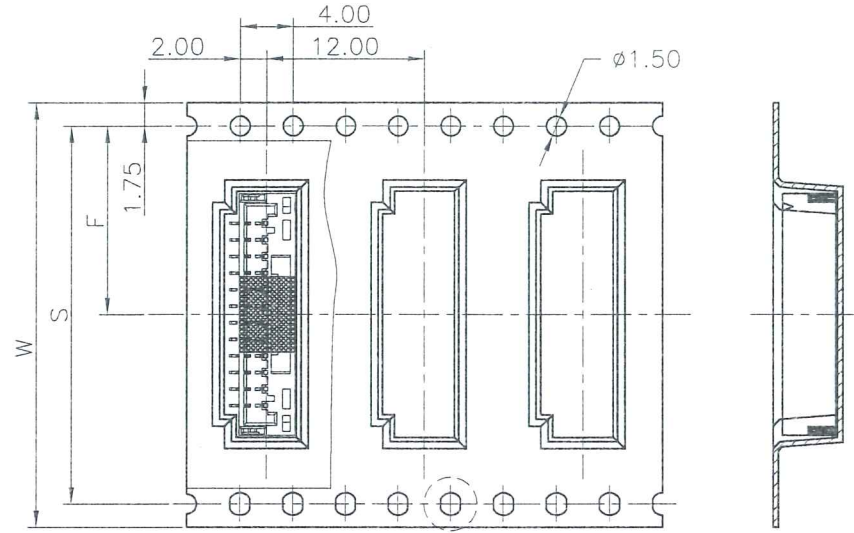
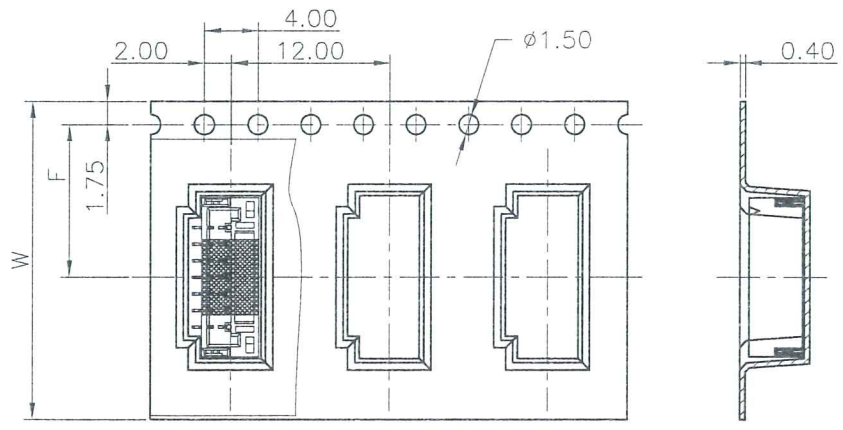


Part No.	Material	Color	Pin Material	Solder Tabs
11257W00-NP-S-R1	Nylon 6T,UL94V-0	Natural(Beige)	Phosphor Bronze/Tin-plated	Brass/Tin-plated
11257W00-NP-S-HF-R1	LCP,UL94V-0	Natural(Beige)	Phosphor Bronze/Tin-plated	Brass/Tin-plated
11257W00-NPA-S-HF-R1	LCP,UL94V-0	Black	Phosphor Bronze/Tin-plated	Brass/Tin-plated
11257W00-NP-S-3E-HF-R1	LCP,UL94V-0	Natural(Beige)	Phosphor Bronze/Matte Tin-plated	Brass/Matte Tin-plated

REV.	REVISION RECORD	DATE	GENERAL TOLERANCES	SCALE	NAME	DATE	PART NO.	DWG NO.	 JCTC® TERMINAL&CONNECTORS	
A0	新图面发行	2018.11.22	LINEAR	1:1	 Nelson	 JIA	11257W00-NP-S-XX-XX-R1	ENDE05		
A1	WN2009240266	2020.09.28	0.0±0.25	APPROVED						TITLE 1.25mm PITCH 180° SMT WAFER
A2	WN2107280185	2021.07.22	0.00±0.15	DESIGNER						
A3	依YB2110280002新增规格	2021.11.08	0.000±0.08	DRAWN						
			X° ANGLES							
			X° REF±6°							
			X° ±3°							
			X° X' ±2°							

1 2 3 4 5 6 7 8

A 2~11 Contacts 12~18 Contacts A



Number of Contacts	W±0.3	F±0.1	S±0.1	Pcs/Reel	Pcs/Box
2~5P	16	7.50		1,000	14,000
6~11P	24	11.50		1,000	10000
12~16P	32	14.20	28.40	1,000	8000
17~18P	44	22.20	40.40	1,000	6000

REV.	REVISION RECORD	DATE	GENERAL TOLERANCES	SCALE	NAME	DATE	PART NO.	DWG NO.
A0	新图面发行	2018.11.22	LINEAR	1:1	Nelson	21.11.08	11257W00-NP-S-XX-XX-R1	ENDE05
A1	WN2009240266	2020.09.28	0.0±0.25	APPROVED	WU	21.11.08	TITLE 1.25mm PITCH 180° SMT WAFER	JCTC® TERMINAL&CONNECTORS
A2	WN2107280185	2021.07.15	X° REF±6°	DESIGNER	JIA	2021.11.08		
A3	依YB2110280002新增规格	2021.11.08	X° ±3°	DRAWN				
			X° X' ±2°					REV A3 SHEET 2/2

1 2 3 4 5 6 7 8