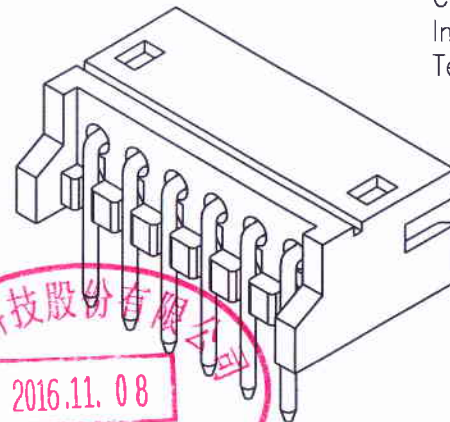
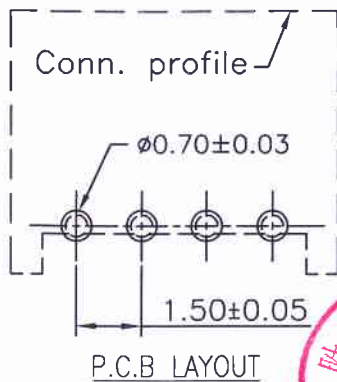
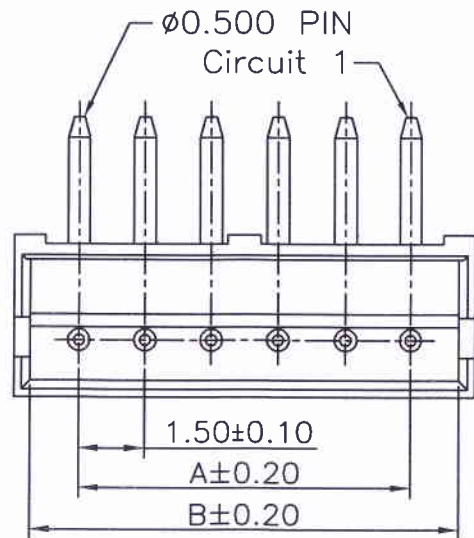


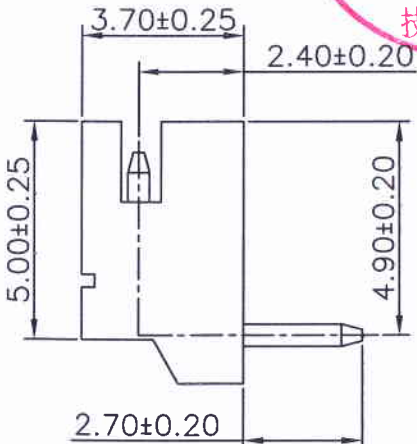
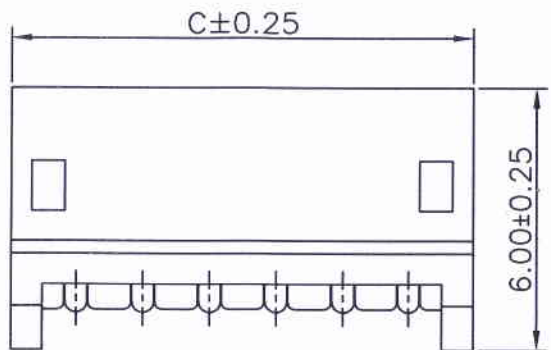
RoHS

Specifications:
 Voltage Rating : 50V AC/DC
 Current Rating : 1A AC,DC
 Withstand Voltage : 500V AC/minute
 Contact Resistance : 20mΩ(MAX.)
 Insulation Resistance : 500MΩ(MIN.)
 Temperature Range : -25°C~+85°C



Dimensional Ordering Information:

Circuits Part No	Dimensions		
	A	B	C
2P	1.50	3.70	4.50
3P	3.00	5.20	6.00
4P	4.50	6.70	7.50
5P	6.00	8.20	9.00
6P	7.50	9.70	10.50
7P	9.00	11.20	12.00
8P	10.50	12.70	13.50
9P	12.00	14.20	15.00
10P	13.50	15.70	16.50
11P	15.00	17.20	18.00
12P	16.50	18.70	19.50
13P	18.00	20.20	21.00
14P	19.50	21.70	22.50
15P	21.00	23.20	24.00



11501W90-NPX-6T
 ① ② ③ ④ ⑤
 ① Series No.
 ② W90 : Side Contact
 W00 : Up Contact
 ③ No. of Circuits
 ④ X : Product color(A--Y)
 Blank : Natural type
 ⑤ 6T : Nylon 6T

Part No.	Material	Color	Pin Material
11501W90-NP	Nylon 66,UL 94V-0	本色	Brass/Tin-plated
11501W90-NPJ	Nylon 66,UL 94V-0	灰色	Brass/Tin-plated
11501W90-NP-6T	Nylon 6T,UL 94V-0	本色	Brass/Tin-plated

REV.	REVISION RECORD	DATE	UNIT: MM SIZE: A4	GENERAL TOLERANCES		SCALE: 1:1	NAME	DATE
				LINEAR	ANGLES			
C0	新图面发行	10.05.11		0.0±0.25	X° REF±6°	APPROVED		
C1	HN1109130131	11.09.13		0.00±0.15	X° ±3°	DESIGNER		
C2	WN1611030179	16.11.07		0.000±0.08	X° X'±2°	DRAWN	邓群庄	16.11.07

JCTC 胜蓝科技股份有限公司 TERMINAL&CONNECTORS 东莞市富智达电子科技有限公司	PART. NO:	11501W90-NPX
	DWG. NO:	ENDE05
	REV: C2	SHEET: 1/1

TITLE: ZH 1.50mm PITCH CONN