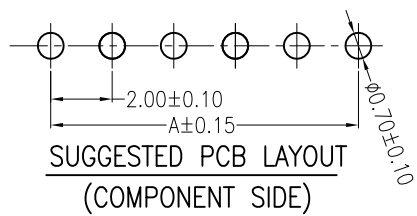
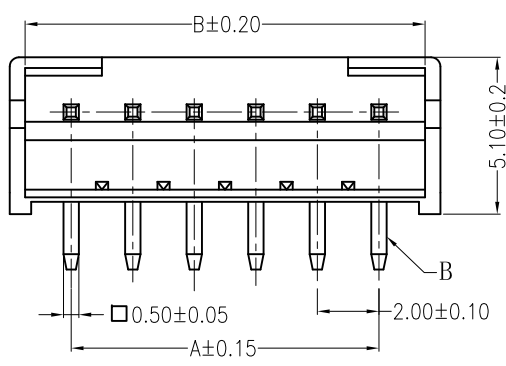
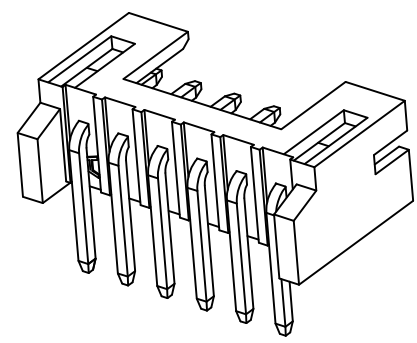
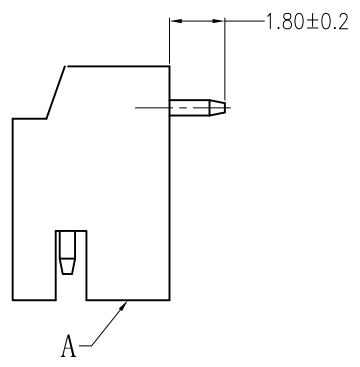
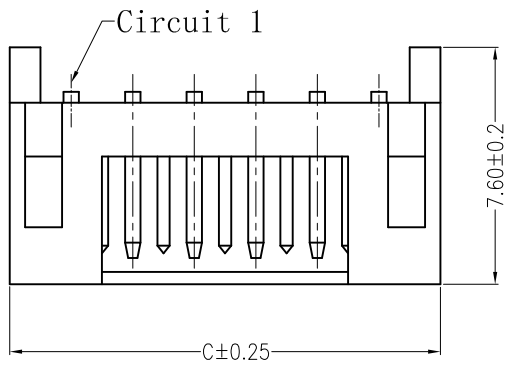


RoHS+HF

Specification:
 Housing: PA66,UL94V-0
 Contacts: BRASS
 TIN/GOLD FLASH PLATED OVER ALL.
 Retentivity Force: 1.0KGF/Pin Min
 Durability: 50 Cycles.
 Current Rating: 2A
 Rated Voltage: 250V AC/DC
 Contact Resistance: 20 mΩ Max
 Insulation Resistance: 1000MΩ Min
 Dielectric Withstanding: 1000V
 Operating Temperature: -25°C~+85°C.
 The Product Using Material And Processing Must
 Conform To The "WL-PZ-142"Hsf Technical Standard
 Control Requirements
 P/N:

12022 W 9-1 XX X-XX P 08

- ① Series No.
- ② W : Female
- ③ 9 : DIP 90°
- ④ 1 : Single row
- ⑤ No. of Circuits
- ⑥ COLOR:
A-Black
K-White
0-NATURE
- ⑦ Contact Plated:
5A-All Au G/F
2E-Bright Tin
3E-Matte Tin
- ⑧ Package Spec:
P-Pe bag
- ⑨ Water code



Ordering Information & Dimensions

PLOES	Dimensions (mm)			PLOES	Dimensions (mm)		
	DIM. A	DIM. B	DIM. C		DIM. A	DIM. B	DIM. C
02	2.00	5.00	6.00	10	18.00	21.00	22.00
03	4.00	7.00	8.00	11	20.00	22.00	24.00
04	6.00	9.00	10.00	12	22.00	25.00	26.00
05	8.00	11.00	12.00	13	24.00	27.00	28.00
06	10.00	13.00	14.00	14	26.00	29.00	30.00
07	12.00	15.00	16.00	15	28.00	31.00	32.00
08	14.00	17.00	18.00	16	30.00	33.00	34.00
09	16.00	19.00	20.00				

REV.	REVISION RECORD	DATE	UNIT: MM	GENERAL TOLERANCES		SCALE 1:1	NAME	DATE	PART NO.	DWG NO.	 TERMINAL&CONNECTORS			
A0	NEW RELEASE	2022.3.2		LINEAR	ANGLES	APPROVED	WANG_JR	2022.3.2	12022W9-1XXX-XXP08	ENDE05				
			SIZE: A4	0.00±0.25	X° ±3°	DESIGNER	HAN_GAO	2022.3.2	TITLE Pitch 2.0mm 90°PH单排卧插带定位墙不打K 无卤 Wafer 针长1.8mm		REV	AO	SHEET	1/1
			0.00±0.10	X° X' ±2°	DRAWN	HAN_GAO	2022.3.2							