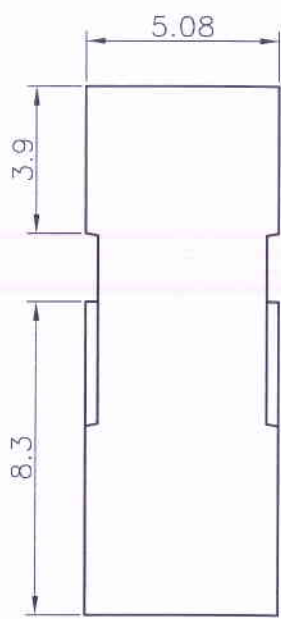
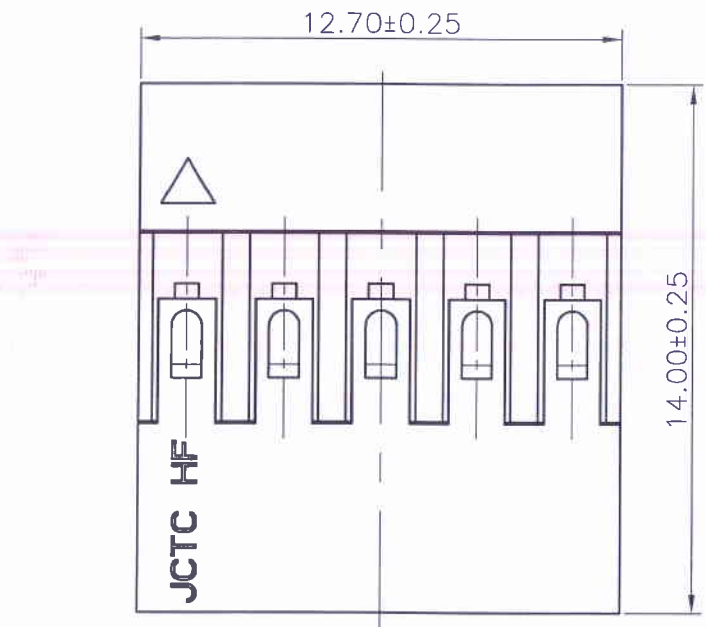
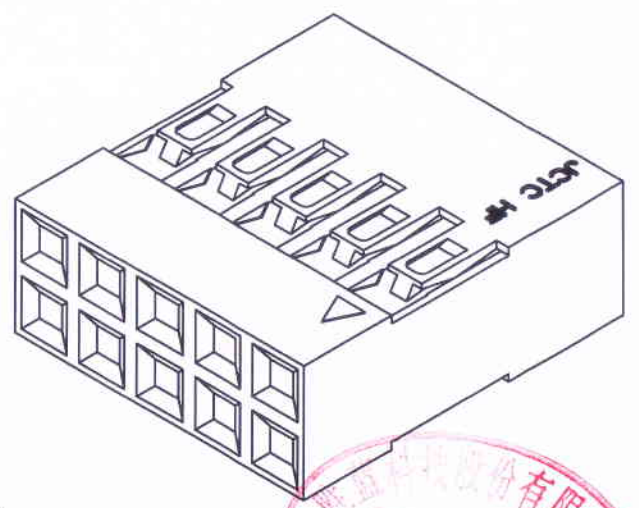


12541H00-2x5PA-B05
 ① ② ③ ④
 ① Series No.
 ② H90 : Side Contact
 H00 : Up Contact
 ③ No. of Circuits
 ④ A : Product color(A--Y)
 Blank : Natural type



Specifications:
 Rated Voltage : 250V AC/DC
 Rated Current : 3A AC,DC
 Withstand Voltage : 800V AC/minute
 Contact Resistance : 20mΩ(MAX.)
 Insulation Resistance : 1000MΩ(MIN.)
 Temperature Range : -25°C~+85°C
 Pitch Between Poles : 2.54mm
 The product using material and processing must conform to the "WI-PZ-142"HSF technical standard control requirements

Suitable for JCTC 12541 series terminal

Part No.	Material	Color
12541H00-2x5PA-B05	Nylon 66,UL 94V-0	黑色无卤

REV.	REVISION RECORD	DATE	GENERAL TOLERANCES		SCALE:	NAME	DATE	PART. NO.	DWG. NO.	 TERMINAL&CONNECTORS
C0	新图面发行	10.10.11	LINEAR	ANGLES	1:1			12541H00-2x5PA-B05	ENDE05	
C1	更新图框	20.03.06	0.0±0.25	X° REF±6°	APPROVED	伍文聪	20.03.20	TITLE: DB 双排 2.54mm PITCH HOUSING		
			0.00±0.15	X° ±3°	DESIGNER	伍文聪	20.03.06			
			UNIT: MM	0.00±0.08	DRAWN	伍文聪	20.03.06			
			SIZE: A4	X° X'±2°				REV: C1	SHEET: 1/1	