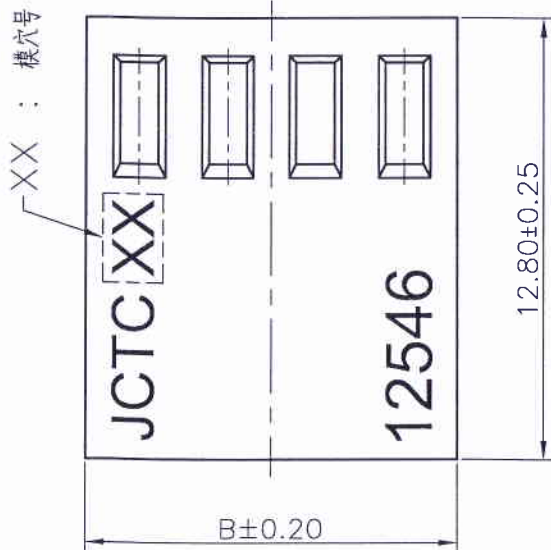
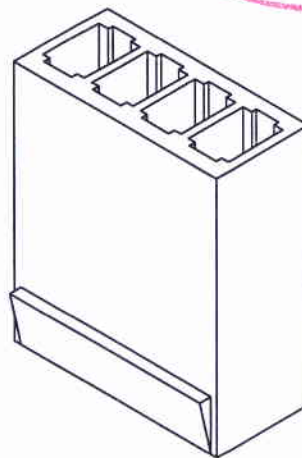
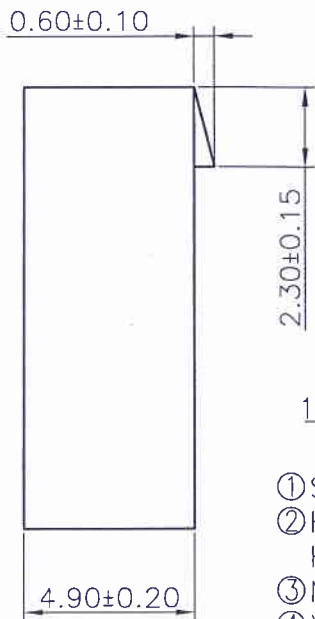
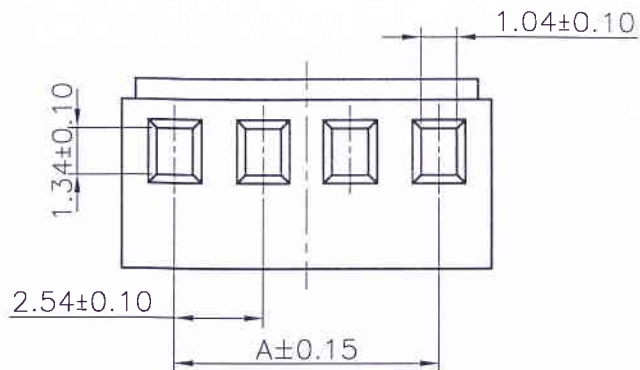


RoHS

Specifications:

Rated Voltage : 250V AC/DC
 Rated Current : 2.5A AC,DC
 Withstand Voltage : 1500V AC/minute
 Contact Resistance : 20mΩ(MAX.)
 Insulation Resistance : 1000MΩ(MIN.)
 Temperature Range : -25°C~+85°C
 Pitch Between Poles : 2.54mm



Circuits Part No	Dimensions	
	A	B
2P	2.54	5.60
3P	5.08	8.14
4P	7.62	10.68
5P	10.16	13.22
6P	12.70	15.76
7P	15.24	18.30
8P	17.78	20.84
9P	20.32	23.38
10P	22.86	25.92
11P	25.40	28.46
12P	27.94	31.00
13P	30.48	33.54
14P	33.02	36.08
15P	35.56	38.62
16P	38.10	41.16
17P	40.64	43.70
18P	43.18	46.24
19P	45.72	48.78
20P	48.26	51.32

12546H00-NPX

① ② ③④

- ① Series No.
- ② H90 : Side Contact
H00 : Up Contact
- ③ No. of Circuits
- ④ X : Product color(A--Y)
Blank: Natural type

Suitable for JCTC 12543 series terminal

Part No.	Material	Color
12546H00-NPB	Nylon66,UL 94V-0	蓝色
12546H00-NP-HF	Nylon66,UL 94V-0	本色/透明

REV.	REVISION RECORD	DATE		GENERAL TOLERANCES		SCALE: 1:1	NAME	DATE	胜蓝科技股份有限公司 TERMINAL&CONNECTORS 东莞市富智达电子科技有限公司	PART. NO:			
				LINEAR	ANGLES					12546H00-NPX-XX			
C0	新图面发行	09.12.04		0.0±0.25	X° REF±6°					DWG. NO:			
C1	新增本色无卤规格	15.11.18		0.00±0.15	X° ±3°					ENDE05			
C2	更新公司名称	17.03.20	UNIT: MM	0.000±0.08	X° X'±2°				TITLE:	2.54mm PITCH HOUSING			
			SIZE: A4				DRAWN	伍文聪	17.03.20	REV:	C2	SHEET:	1/1