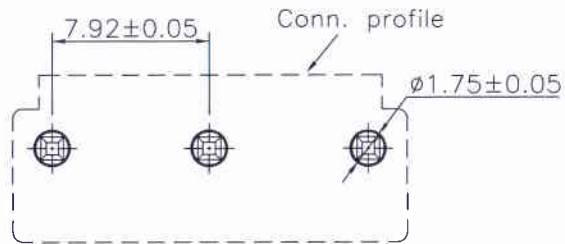
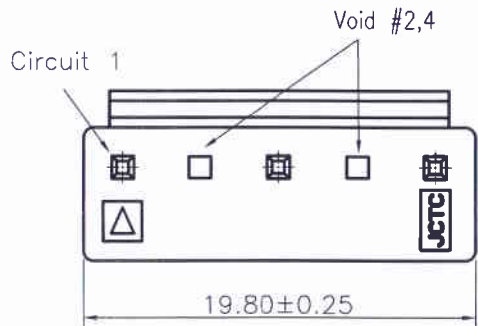
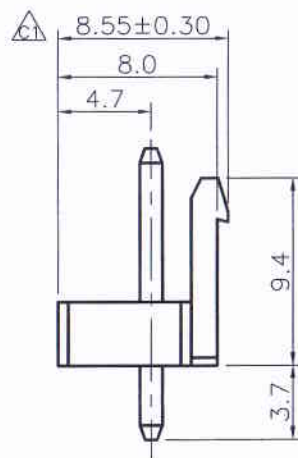
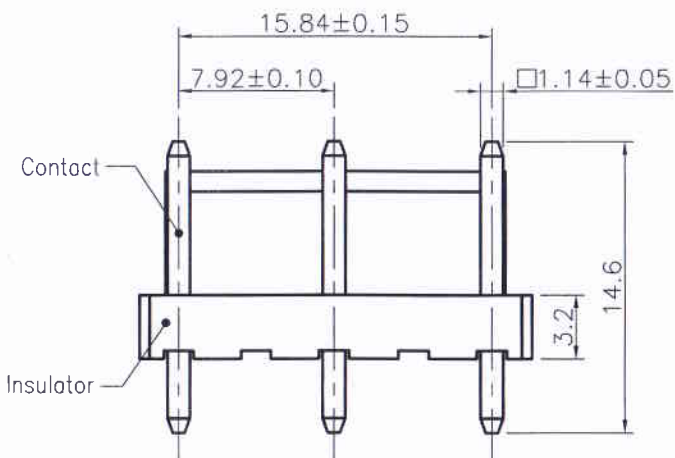
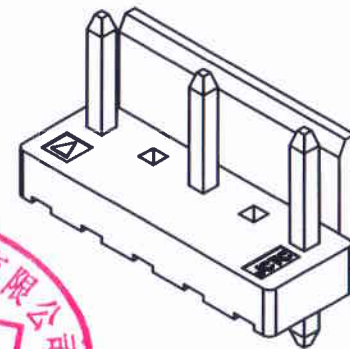


环保物料



Recommended P.C.B Layout



Specifications:
 Rated Voltage : 250V AC/DC
 Rated Current : 10A AC,DC
 Withstand Voltage : 1500V AC/minute
 Contact Resistance : 10mΩ(MAX.)
 Insulation Resistance : 1000MΩ(MIN.)
 Temperature Range : -25°C~+85°C
 Contact: Brass/Tin-plated
 Material: Nylon 66,UL94V-0 Halogen Free
 Color: Natural(White)

REV.	REVISION RECORD	DATE	UNIT: MM	GENERAL TOLERANCES		SCALE:	NAME	DATE	PART. NO: 13962W00-5P-HF-001
C0	新图面发行	13.08.15		LINEAR	ANGLES	1:1			
C1	修改卡扣结构	15.05.13	0.0±0.25	X° REP ±6°	APPROVED	杨朝阳	15.05.13	REV: C1	
			0.00±0.15	X° ±3°	DESIGNER	杨朝阳	15.05.13	SHEET: 1/1	
			SIZE: A4	0.000±0.08	X° X' ±2°	DRAWN	杨朝阳		

JCTC® 苏州伟聚 东莞胜蓝
 TERMINAL&CONNECTORS 东莞胜蓝

TITLE:
 3.96mm Pitch Dip Type 180° Wafer