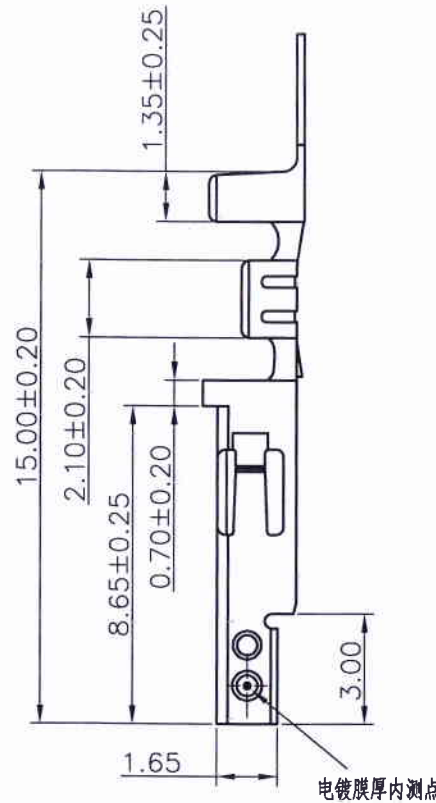
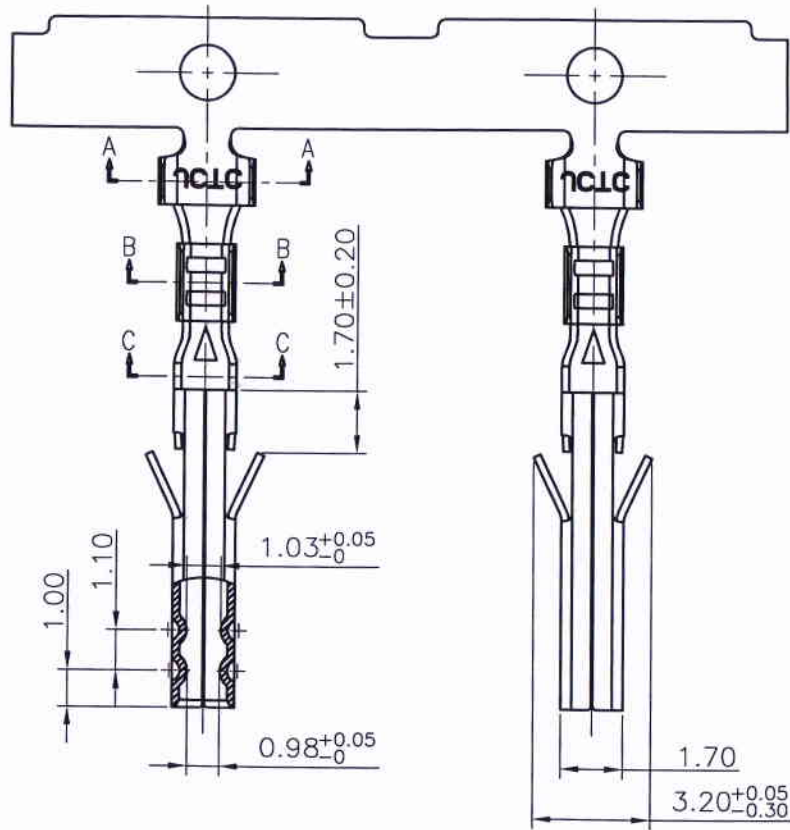
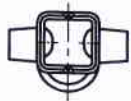
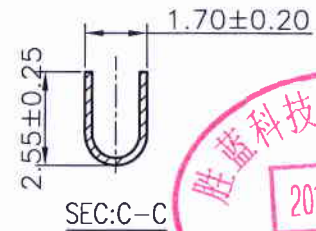
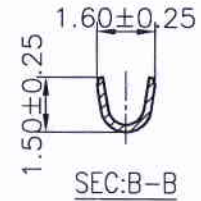
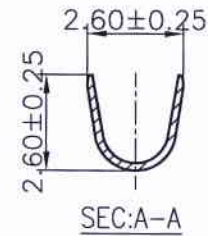


RoHS



Specifications:
 Voltage Rating : 500V AC/DC
 Withstand Voltage : 1500V AC/minute
 Contact Resistance : 10mΩ(MAX.)
 Insulation Resistance : 1000MΩ(Min.)
 Terminal Retention : 3.00Kg/f Min.
 Suitable for 1.14mm PIN
 Suitable for 2x10Pin-2x12Pin Housing



| Part No. | Wire Range | Insulation O.D. | Material | Finish | Qty/reel |
|--------------------|------------|-----------------|--------------|------------------------------------|-----------|
| 34202T1P-3E-F-S1 | AWG #24 | 1.40mm(max) | Copper alloy | Ni 50u" Min.,Tin plated 80u" Min. | 4,000 pcs |
| 34202T1P-3E-2-F-S1 | AWG #24 | 1.40mm(max) | Copper alloy | Ni 50u" Min.,Tin plated 80u" Min. | 4,000 pcs |
| 34202T1P-OH-G-F-S1 | AWG #24 | 1.40mm(max) | Copper alloy | Ni 50u" Min.,Gold plated 30u" Min. | 4,000 pcs |

| REV. | REVISION RECORD | DATE |
|------|-----------------|------------|
| C0 | 新图面发行 | 14. 10. 23 |
| C1 | 变更公司名称 | 17. 03. 27 |

| UNIT: MM | GENERAL TOLERANCES | |
|----------|--------------------|-----------|
| | LINEAR | ANGLES |
| | 0.0±0.25 | X° REF±6° |
| | 0.00±0.15 | X° ±3° |

| SCALE: | NAME | DATE |
|----------|--------------------|----------|
| 1:1 | | |
| APPROVED | <i>[Signature]</i> | 17.03.27 |
| DESIGNER | <i>[Signature]</i> | 17.03.27 |
| DRAWN | 卢小锋 | 17.03.27 |

JCTC® 胜蓝科技股份有限公司
 TERMINAL&CONNECTORS 东莞市富智达电子科技有限公司

TITLE:
 4.20mm Pitch Crimp Terminal

| | |
|-----------|--------------------|
| PART. NO: | 34202T1P-XX-X-X-S1 |
| DWG. NO: | ENDE05 |
| REV: | C1 |
| SHEET: | 1/1 |