

1 2 3 4 5 6 7 8

A

B

C

D

E

F

G

H

A

B

C

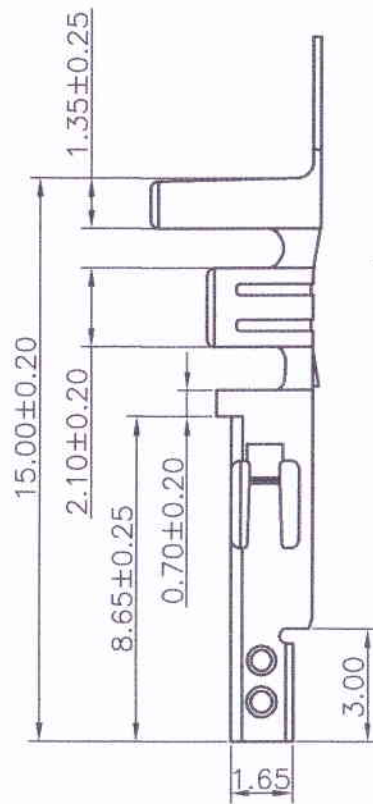
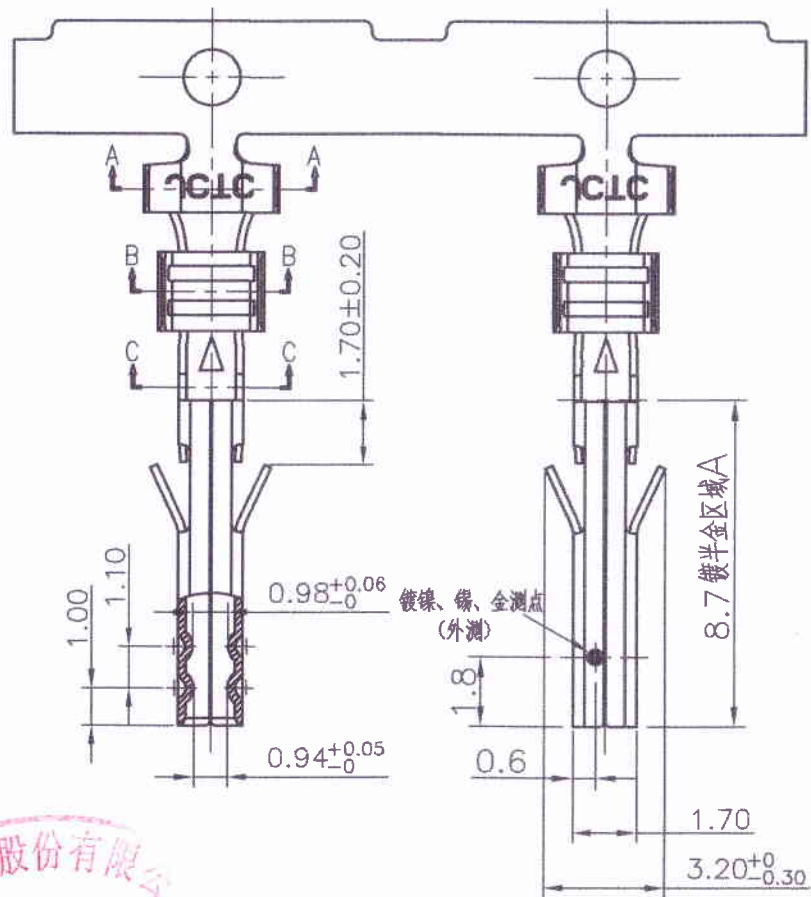
D

E

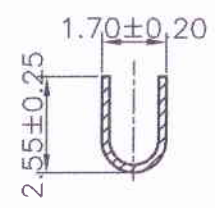
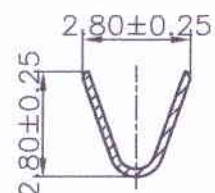
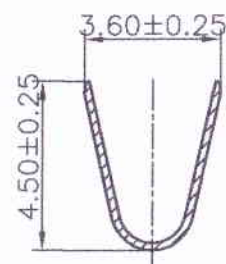
F

G

H



Specifications:  
 Voltage Rating : 500V AC/DC  
 Withstand Voltage : 1500V AC/minute  
 Contact Resistance : 10mΩ(MAX.)  
 Insulation Resistance : 1000MΩ(Min.)  
 Terminal Retention : 3.00Kg/f Min.  
 Suitable for 1.14mm PIN  
 The product using material and processing must conform to the "WI-PZ-142"HSF technical standard control requirements



胜蓝科技股份有限公司  
 2017.12.22  
 工程  
 技术文件发行章

Part No.	Wire Range	Insulation O.D.	Material	Finish	Qty/reel
34202T2P-2E-F-S3	AWG #16~#18	2.80mm(max)	Phosphor Bronze	Ni 30u" Min.,Tin plated 80u" Min.	3,000 pcs
34202T2P-0H-F-S3	AWG #16~#18	2.80mm(max)	Phosphor Bronze	Ni 30u" Min.,Gold plated 30u" Min.	3,000 pcs
34202T2P-3E-F-S3	AWG #16~#18	2.80mm(max)	Phosphor Bronze	Ni 30u" Min.,Matte Tin plated 80u" Min.	3,000 pcs

REV.	REVISION RECORD	DATE	GENERAL TOLERANCES	SCALE	NAME	DATE	<b>JCTC</b> ® 胜蓝科技股份有限公司 TERMINAL&CONNECTORS 东莞市富智达电子科技有限公司 TITLE: 4.20mm Pitch Crimp Terminal	PART NO:
AO	新图面发行	16.06.22	LINEAR	1:1	APPROVED			34202T2P-XX-F-S3
A1	新增镀半金30u"规格	16.10.14	ANGLES	0.0±0.25	DESIGNER			DWG NO:
A2	依TN1712210190新增镀雾锡格	17.12.21	UNIT: MM	0.00±0.15	DRAWN	卢小锋 17.12.21		ENDE05
			SIZE: A4	0.000±0.08			REV: A2	SHEET: 1/1

1 2 3 4 5 6 7 8