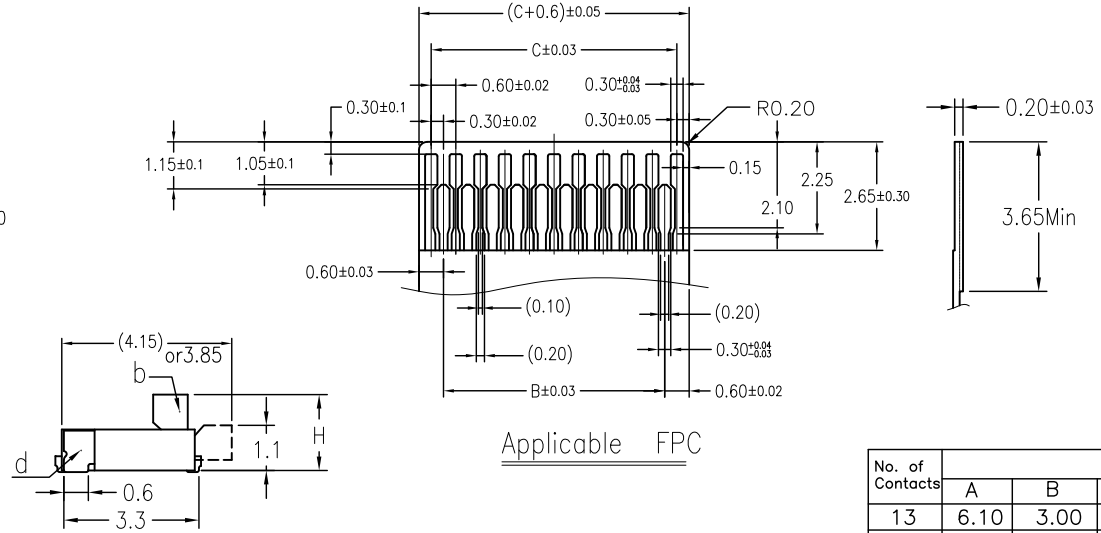
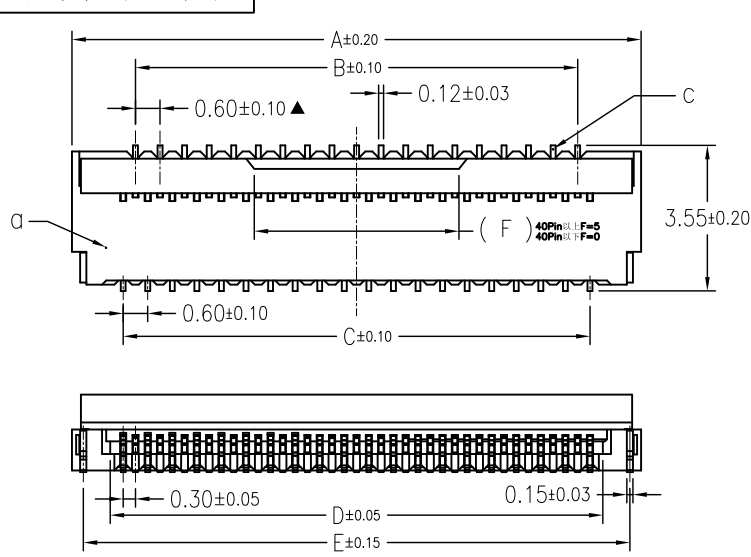


环保物料



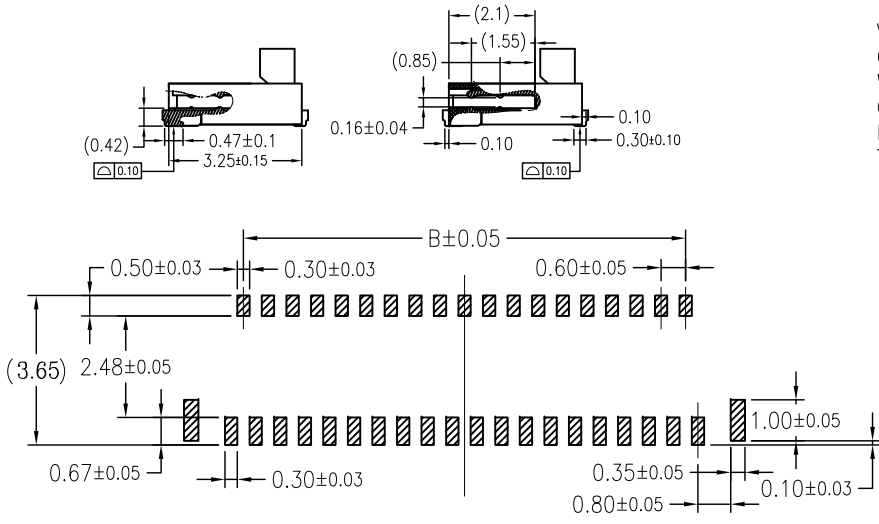
Applicable FPC

No. of Contacts	Dimension				
	A	B	C	D	E
13	6.10	3.00	3.60	4.23	5.55
15	6.70	3.60	4.20	4.83	6.15
17	7.30	4.20	4.80	5.43	6.75
19	7.90	4.80	5.40	6.03	7.35
21	8.50	5.40	6.00	6.63	7.95
23	9.10	6.00	6.60	7.23	8.55
25	9.70	6.60	7.20	7.83	9.15
27	10.30	7.20	7.80	8.43	9.75
29	10.90	7.80	8.40	9.03	10.35
31	11.50	8.40	9.00	9.63	10.95
33	12.10	9.00	9.60	10.23	11.55
35	12.70	9.60	10.20	10.83	12.15
37	13.30	10.20	10.80	11.43	12.75
39	13.90	10.80	11.40	12.03	13.35
41	14.50	11.40	12.00	12.63	13.95
45	15.70	12.60	13.20	13.83	15.15
49	16.90	13.80	14.40	15.03	16.35
51	17.50	14.40	15.00	15.63	16.95
57	19.30	16.20	16.80	17.43	18.75
61	20.50	17.40	18.00	18.63	19.95
67	22.30	19.20	19.80	20.43	21.75
71	23.50	20.40	21.00	21.63	22.95
73	24.10	21.00	21.60	22.23	23.55

Voltage Rating : 30V AC
 Current Rating : 0.2A
 Withstand Voltage : 90V DC/minute
 Contact Resistance : 30mΩ(MAX.)
 Insulation Resistance : 50MΩ(MIN.)
 Temperature Range : -25°C~+85°C

40302W90-NPN-S H L OA T C R
 ① ② ③ ④ ⑤ ⑥ ⑦ ⑧ ⑨ ⑩

- ① Series No.
- ② W90 :Right angle
- ③ No. of Circuits
- ④ Color: N=Natural
- ⑤ S: SMT type
- ⑥ H=Halogen Free
- ⑦ Material: L=LCP
- ⑧ Plating for contacts:
OA=Gold-flash on contact area
- ⑨ Plating for solder area:
T=Tin Plating
- ⑩ Assembly Style
C=Turned up actuator the back H=1.85mm
D=Turned up actuator the back H=1.55mm
- ⑪ R=Tape & Reel



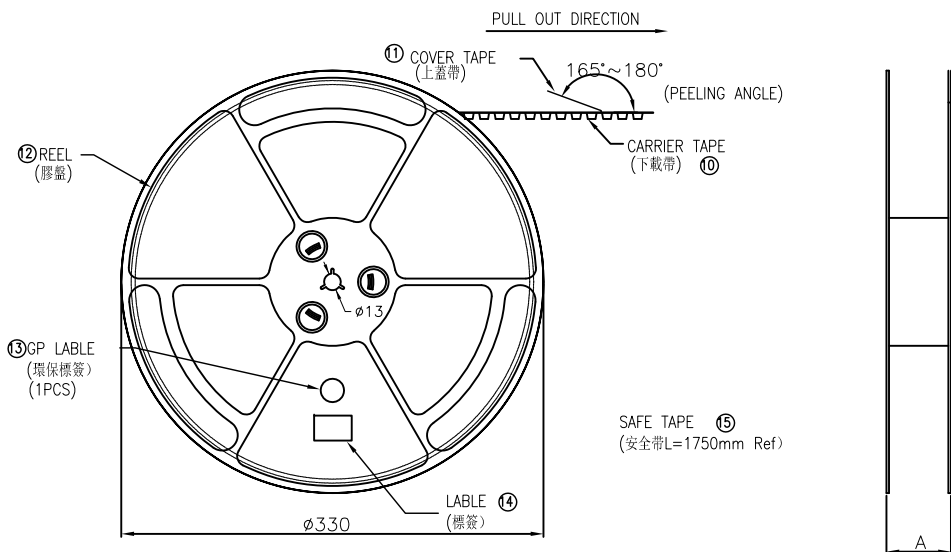
FPC/FFC Insert Direction
 Recommended P.C.B Layout

No.	Description	Material	Color/Finish
a	Housing	LCP,UL94V-0	Natural
b	Actuator	LCP,UL94V-0	Black
c	Terminal	Phosphor Bronze	Gold Flash
d	LEG	Phosphor Bronze	Matte Tin Plating Over Ni

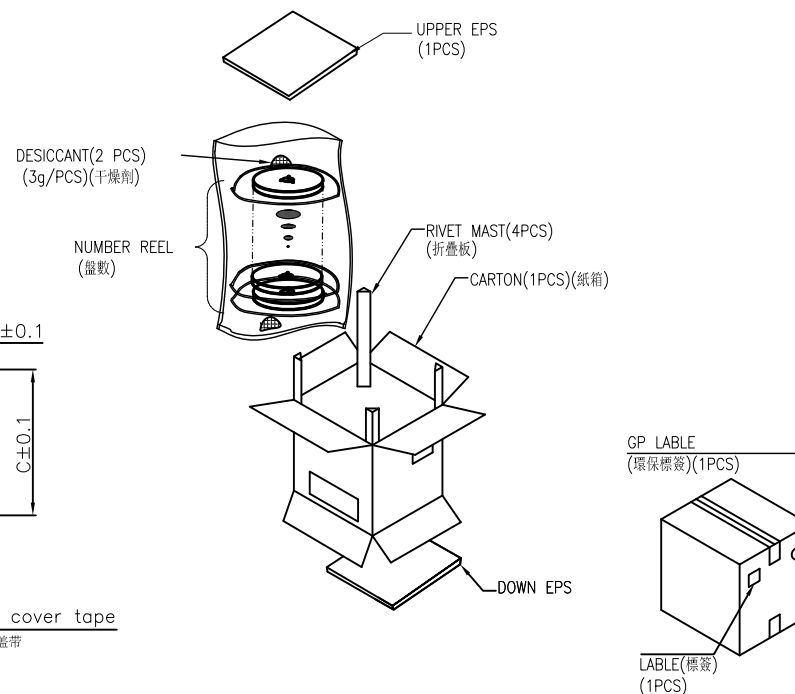
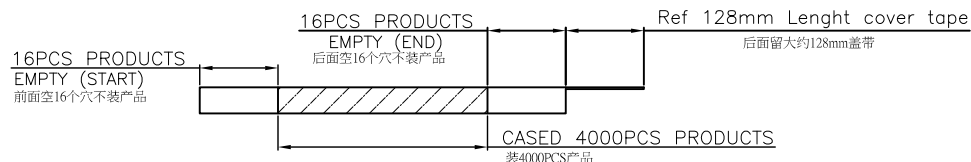
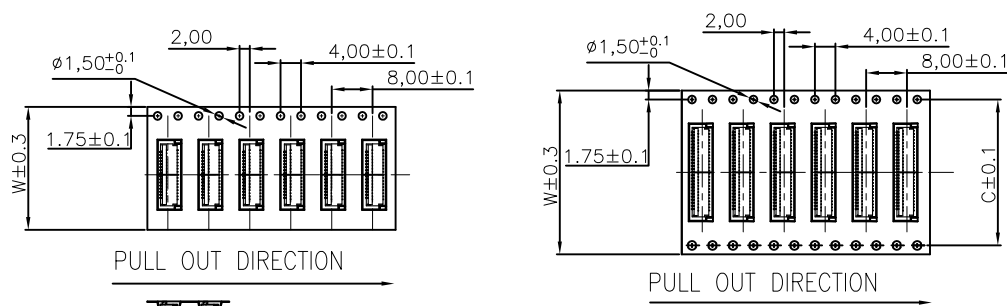
			一般公差 GENERAL TOLERANCE		绘图 DR.	程功银	料号 PART NO.		文件编号 NUMBER		 TERMINAL&CONNECTORS	
			X.X ±0.20	X' ±2'	校对 CHK.	李兴泽	40302W90-xxPN-SHLOATCR		ENDPT01			
			X.XX ±0.15	X.X' ±1'	审核 CHK.	李兴泽	品名 TITLE				比例 SCALE	版次 REV.
A0	17.01.03	换图框发行	李兴泽	▲ MAJOR DIM.	核准 APPD.	杨章雄	FPC 0.3 Pitch 1.0H ZIF R/A Connector				1/1	A0
版次 REV.	日期 DATE	变更内容 DESCRIPTION	审核 CHK.	核准 APPD.	单位 UNIT	mm						

NOTE:

- 1.10 Sprocket hole pitch cumulative tolerance ± 0.20 .
2. Carrier camber is within 1mm in 100mm.
3. Material: black conductive polystyrene alloy.
4. Material Thickness: 0.3 ± 0.05 mm.
5. All dimensions meet EIA-481-B requirements.
6. 5000pcs Pef Reel.
7. For tape width(dim W)16 and 24mm pilot holes are provided on one sides.
For tape width(dim W)32, 44 and 56mm pilot holes are provided on both sides.



SCALE 1:4



PIN NO.	W	A	C	PCS /REEL	REEL/CARTON	SUM(PCS)
09PIN~11PIN	12	16.5	-	4000	18	72000
13PIN~19PIN	16	20.5	-	4000	15	30000
21PIN~45PIN	24	28.5	-	4000	10	40000
49PIN~67PIN	32	36.5	28.4	4000	8	32000
71~73PIN	44	48.5	40.4	4000	6	24000

						一般公差 GENERAL TOLERANCE		绘图 DR.	程功银	料号 PART NO.		文件编号 NUMBER		 TERMINAL&CONNECTORS	
						X.X ±0.15	X' ±2'	校对 CHK.	李兴泽	40302W90-NPN-SHLOATCR		ENDPT01			
						X.XX ±0.05	X.X' ±1'	审核 CHK.	李兴泽	品名 TITLE		比例 SCALE		SHEET	版次 REV.
A0	17.01.03	换图框发行				X.XXX ±0.02	▲ MAJOR DIM.	核准 APPD.	杨章雄	FPC 0.3 Pitch 1.0H ZIF R/A Connector		1/1	1/1	A0	
版次 REV.	日期 DATE	变更内容 DESCRIPTION	审核 CHK.	核准 APPD.	单位 UNIT	mm									