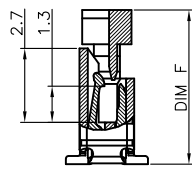
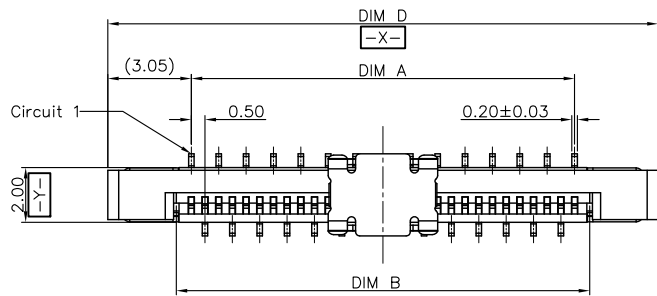
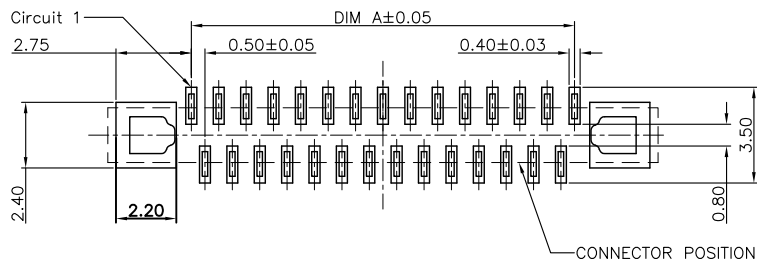
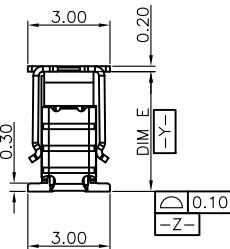
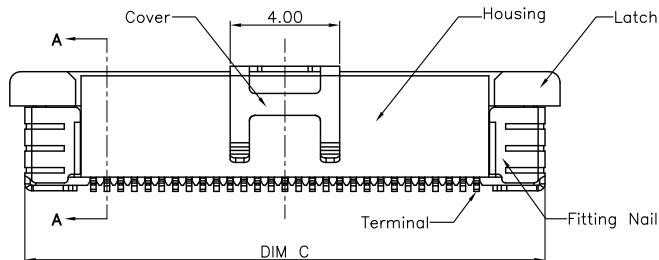


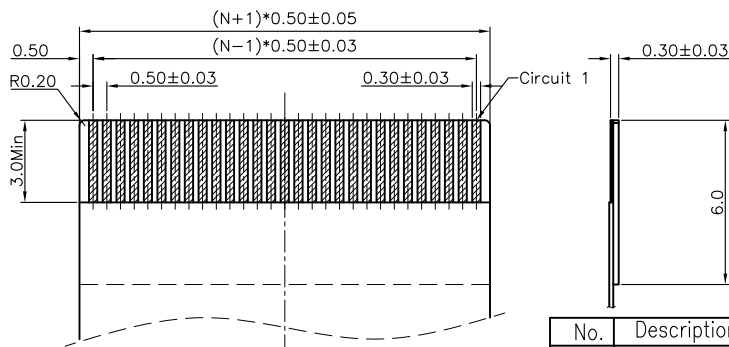
环保物料



SECTION A-A
SCALE 1:1



RECOMMENDED P.C.B PATTERN LAYOUT



RECOMMENDED FPC/FFC DIMENSION

Voltage Rating:50V AC/DC
Current Rating:0.5A AC/DC
Withstand Voltage:250V AC/minute
Contact Resistance:30mQ(MAX)
Insulation Resistance:100MQ(MIN)
Temperature Range:-25°c~+85°c

40519W00-N.PN-S.H.L.2E.T.T.x
① ② ③ ④ ⑤ ⑥ ⑦ ⑧ ⑨ ⑩

- ① Series NO.
- ② W00: Straight Type
- ③ NO. of Circuits
- ④ Color: N=Natural
- ⑤ S: SMT type
- ⑥ H=Halogen Free
- ⑦ Material: L=LCP
- ⑧ Plating for contacts:
2E=Matte Tin-plated
0A=Gold-flash on contact area
- ⑨ Plating for solder area:
T=Matte Tin-plating
- ⑩ Assembly Style
T=TOP Contacts (反脚)
T=Tube Backing
R=Reel Backing

CKTS	DIM A	DIM B	DIM C	DIM D	DIM E	DIM F
4	1.50	2.60	6.50	7.60		
5	2.00	3.10	7.00	8.10		
6	2.50	3.60	7.50	8.60		
7	3.00	4.10	8.00	9.10		
8	3.50	4.60	8.50	9.60		
9	4.00	5.10	9.00	10.10		
10	4.50	5.60	9.50	10.60		
11	5.00	6.10	10.00	11.10		
12	5.50	6.60	10.50	11.60		
13	6.00	7.10	11.00	12.10		
14	6.50	7.60	11.50	12.60		
15	7.00	8.10	12.00	13.10		
16	7.50	8.60	12.50	13.60		
17	8.00	9.10	13.00	14.10		
18	8.50	9.60	13.50	14.60		
19	9.00	10.10	14.00	15.10	4.40	5.65
20	9.50	10.60	14.50	15.60		
21	10.00	11.10	15.00	16.10		
22	10.50	11.60	15.50	16.60		
23	11.00	12.10	16.00	17.10		
24	11.50	12.60	16.50	17.60		
25	12.00	13.10	17.00	18.10		
26	12.50	13.60	17.50	18.60		
27	13.00	14.10	18.00	19.10		
28	13.50	14.60	18.50	19.60		
29	14.00	15.10	19.00	20.10		
30	14.50	15.60	19.50	20.60		
31	15.00	16.10	20.00	21.10		
32	15.50	16.60	20.50	21.60		
33	16.00	17.10	21.00	22.10		
34	16.50	17.60	21.50	22.60		
35	17.00	18.10	22.00	23.10		
36	17.50	18.60	22.50	23.60		
37	18.00	19.10	23.00	24.10		
38	18.50	19.60	23.50	24.60		
39	19.00	20.10	24.00	25.10		
40	19.50	20.60	24.50	25.60		
41	20.00	21.10	25.00	26.10		
42	20.50	21.60	25.50	26.60		
43	21.00	22.10	26.00	27.10		
44	21.50	22.60	26.50	27.60		
45	22.00	23.10	27.00	28.10		
46	22.50	23.60	27.50	28.60		
47	23.00	24.10	28.00	29.10		
48	23.50	24.60	28.50	29.60	4.95	6.20
49	24.00	25.10	29.00	30.10		
50	24.50	25.60	29.50	30.60		
51	25.00	26.10	30.00	31.10		
52	25.50	26.60	30.50	31.60		
53	26.00	27.10	31.00	32.10		
54	26.50	27.60	31.50	32.60		
55	27.00	28.10	32.00	33.10		
56	27.50	28.60	32.50	33.60		
57	28.00	29.10	33.00	34.10		
58	28.50	29.60	33.50	34.60		
59	29.00	30.10	34.00	35.10		
60	29.50	30.60	34.50	35.60		

No.	Description	Material	Color/Finish
a	Housing	LCP,UL94V-0	Natural
b	Actuator	LCP,UL94V-0	Black/Blue
c	Terminal	Phosphor Bronze	Matte Tin/Gold Flash
d	LEG	Brass	Matte Tin Plating Over Ni

				一般公差 GENERAL TOLERANCE		绘图 DR.	程功银	料号 PART NO.		文件编号 NUMBER		 TERMINAL&CONNECTORS	
				X.X ±0.25	X' ±2'	校对 CHK.	李兴泽	40519W00-NPN-SHL2ETT _x		ENDE05			
				X.XX ±0.15	X.X' ±1'	审核 CHK.	李兴泽	品名 TITLE					
A0	17.02.08	换图框发行		李兴泽	核准 APPD.		杨章雄	FPC 0.5PITCH 4.40/4.95H ZIF CONNECTOR		比例 SCALE	SHEET	版次 REV.	
版次 REV.	日期 DATE	变更内容 DESCRIPTION		审核 CHK.	核准 APPD.					1/1	1/1	A0	

环保物料

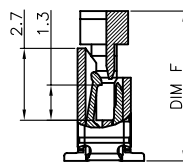
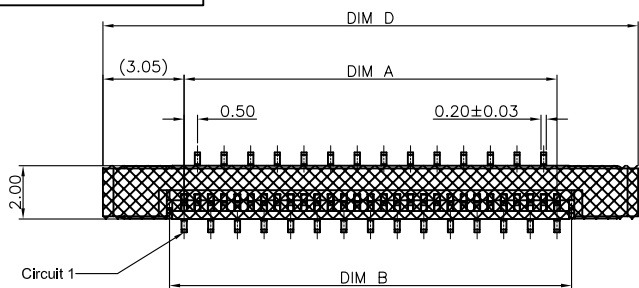
客户图

Voltage Rating:50V AC/DC
 Current Rating:0.5A AC/DC
 Withstand Voltage:250V AC/minute
 Contact Resistance:30mΩ(MAX)
 Insulation Resistance:100MΩ(MIN)
 Temperature Range:-25°C~+85°C

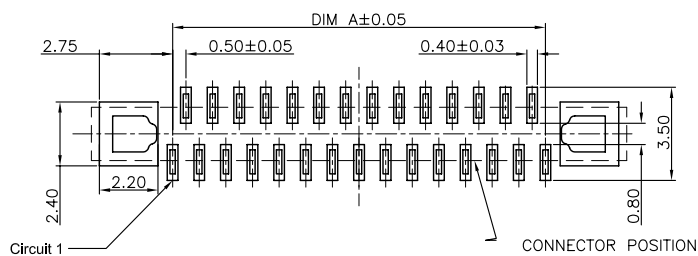
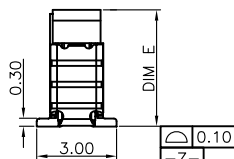
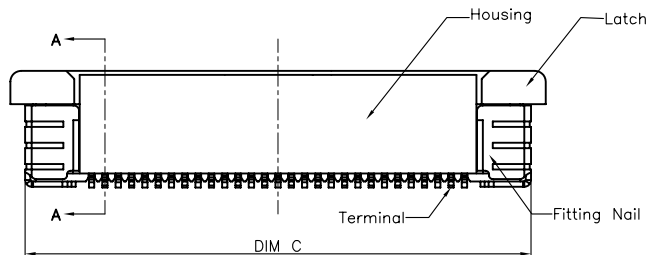
40519W00-N PN-S H L 2E I B x

① ② ③ ④ ⑤ ⑥ ⑦ ⑧ ⑨ ⑩

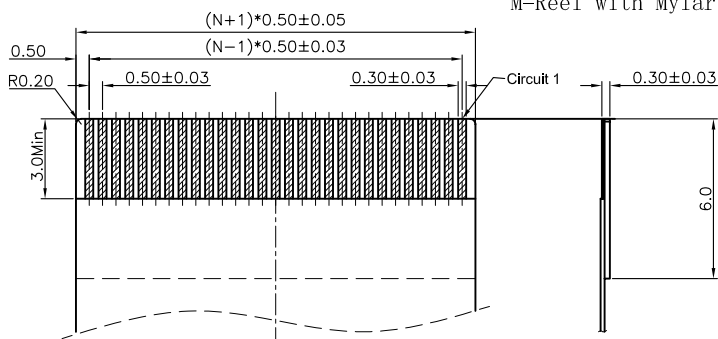
- ① Series NO.
- ② W00: Straight Type
- ③ NO. of Circuits
- ④ Color: N=Natural
- ⑤ S:SMT type
- ⑥ H=Halogen Free
- ⑦ Material: L=LCP
- ⑧ Plating for contacts:
 2E=Matte Tin-plated
 OA=Gold-flash on contact area
- ⑨ Plating for solder area:
 T=Matte Tin-plating
- ⑩ Assembly Style
 B=Bottom Contacts (正脚)
 T=Tube Backing
 R=Reel Backing
 M=Reel with Mylar Backing



SECTION A-A
SCALE 1:1



RECOMMENDED P.C.B PATTERN LAYOUT



RECOMMENDED FPC/FFC DIMENSION

No.	Description	Material	Color/Finish
a	Housing	LCP,UL94V-0	Natural
b	Actuator	LCP,UL94V-0	Black
c	Terminal	Phosphor Bronze	Matte Tin/Gold Flash
d	LEG	Brass	Matte Tin Plating Over Ni

CKTS	DIM A	DIM B	DIM C	DIM D	DIM E	DIM F
4	1.50	2.60	6.50	7.60	4.40	5.65
5	2.00	3.10	7.00	8.10		
6	2.50	3.60	7.50	8.60		
7	3.00	4.10	8.00	9.10		
8	3.50	4.60	8.50	9.60		
9	4.00	5.10	9.00	10.10		
10	4.50	5.60	9.50	10.60		
11	5.00	6.10	10.00	11.10		
12	5.50	6.60	10.50	11.60		
13	6.00	7.10	11.00	12.10		
14	6.50	7.60	11.50	12.60		
15	7.00	8.10	12.00	13.10		
16	7.50	8.60	12.50	13.60		
17	8.00	9.10	13.00	14.10		
18	8.50	9.60	13.50	14.60		
19	9.00	10.10	14.00	15.10		
20	9.50	10.60	14.50	15.60		
21	10.00	11.10	15.00	16.10		
22	10.50	11.60	15.50	16.60		
23	11.00	12.10	16.00	17.10		
24	11.50	12.60	16.50	17.60		
25	12.00	13.10	17.00	18.10		
26	12.50	13.60	17.50	18.60		
27	13.00	14.10	18.00	19.10		
28	13.50	14.60	18.50	19.60		
29	14.00	15.10	19.00	20.10		
30	14.50	15.60	19.50	20.60		
31	15.00	16.10	20.00	21.10		
32	15.50	16.60	20.50	21.60		
33	16.00	17.10	21.00	22.10		
34	16.50	17.60	21.50	22.60		
35	17.00	18.10	22.00	23.10		
36	17.50	18.60	22.50	23.60		
37	18.00	19.10	23.00	24.10		
38	18.50	19.60	23.50	24.60		
39	19.00	20.10	24.00	25.10		
40	19.50	20.60	24.50	25.60		
41	20.00	21.10	25.00	26.10		
42	20.50	21.60	25.50	26.60		
43	21.00	22.10	26.00	27.10		
44	21.50	22.60	26.50	27.60		
45	22.00	23.10	27.00	28.10		
46	22.50	23.60	27.50	28.60		
47	23.00	24.10	28.00	29.10		
48	23.50	24.60	28.50	29.60		
49	24.00	25.10	29.00	30.10		
50	24.50	25.60	29.50	30.60		
51	25.00	26.10	30.00	31.10		
52	25.50	26.60	30.50	31.60		
53	26.00	27.10	31.00	32.10		
54	26.50	27.60	31.50	32.60		
55	27.00	28.10	32.00	33.10		
56	27.50	28.60	32.50	33.60		
57	28.00	29.10	33.00	34.10		
58	28.50	29.60	33.50	34.60		
59	29.00	30.10	34.00	35.10		
60	29.50	30.60	34.50	35.60		

4.40

4.95

1/1

版次 REV.	日期 DATE	变更内容 DESCRIPTION	审核 CHK.	核准 APPD.
A0	17.02.08	换图框发行		

一般公差 GENERAL TOLERANCE	
X.X ±0.25	X' ±2'
X.XX ±0.15	X.X' ±1'
X.XXX ±0.08	▲ MAJOR DIM.

绘图 DR.	程功银
校对 CHK.	李兴泽
审核 CHK.	李兴泽
核准 APPD.	杨章雄

料号 PART NO.	40519W00-NPN-SHLxxTBx
品名 TITLE	FPC 0.5PITCH 4.40/4.95H ZIF CONNECTOR

文件编号 NUMBER	ENDE05
-------------	--------

JCTC ®		
TERMINAL&CONNECTORS		
比例 SCALE	SHEET	版次 REV.
1/1	1/1	A0

环保物料

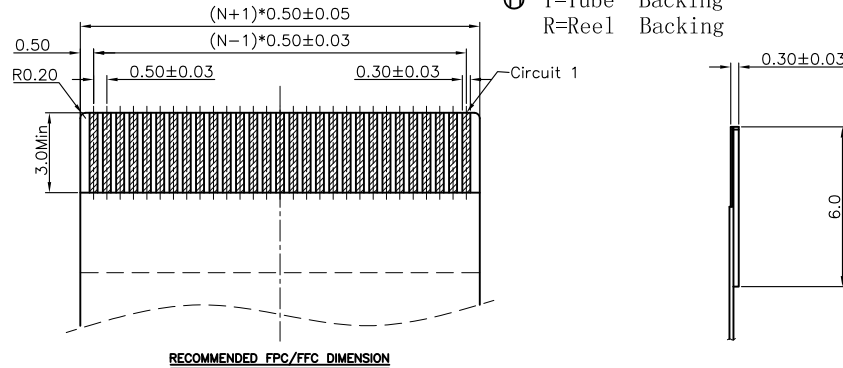
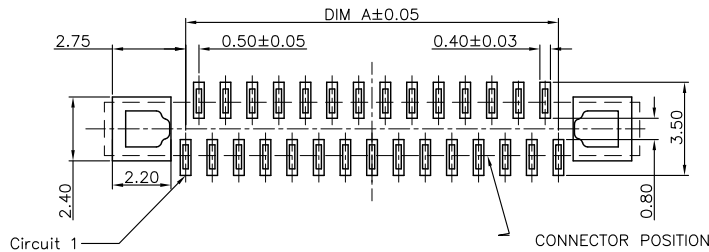
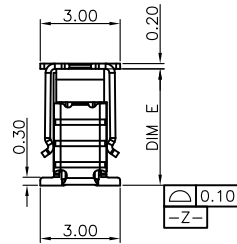
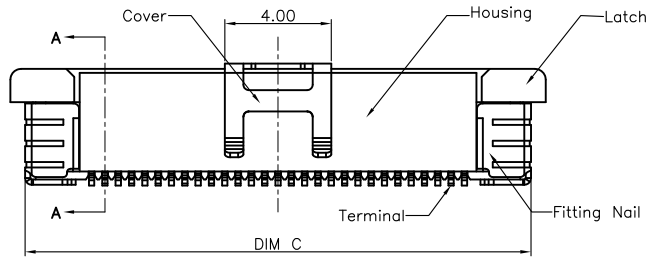
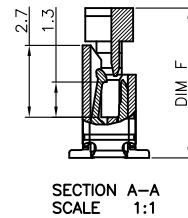
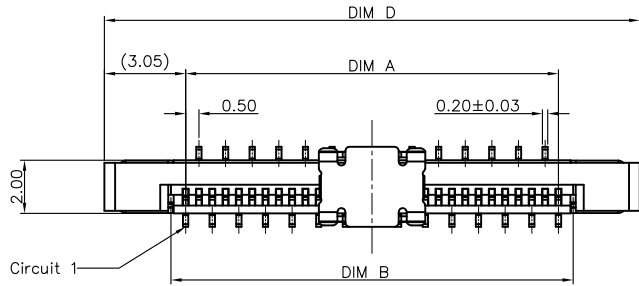
客户图

Voltage Rating:50V AC/DC
 Current Rating:0.5A AC/DC
 Withstand Voltage:250V AC/minute
 Contact Resistance:30mΩ(MAX)
 Insulation Resistance:100MΩ(MIN)
 Temperature Range:-25°C~+85°C

40519W00-N PN-S H L 2E T B x
 ① ② ③ ④ ⑤ ⑥ ⑦ ⑧ ⑨ ⑩

- ① Series NO.
- ② W00: Straight Type
- ③ NO. of Circuits
- ④ Color: N=Natural
- ⑤ S:SMT type
- ⑥ H=Halogen Free
- ⑦ Material: L=LCP
- ⑧ Plating for contacts:
 2E=Matte Tin-plated
 OA=Gold-flash on contact area
- ⑨ Plating for solder area:
 T=Matte Tin-plating
- ⑩ Assembly Style
 B=Bottom Contacts (正脚)
 T=Tube Backing
 R=Reel Backing

CKTS	DIM A	DIM B	DIM C	DIM D	DIM E	DIM F
4	1.50	2.60	6.50	7.60		
5	2.00	3.10	7.00	8.10		
6	2.50	3.60	7.50	8.60		
7	3.00	4.10	8.00	9.10		
8	3.50	4.60	8.50	9.60		
9	4.00	5.10	9.00	10.10		
10	4.50	5.60	9.50	10.60		
11	5.00	6.10	10.00	11.10		
12	5.50	6.60	10.50	11.60		
13	6.00	7.10	11.00	12.10		
14	6.50	7.60	11.50	12.60		
15	7.00	8.10	12.00	13.10		
16	7.50	8.60	12.50	13.60		
17	8.00	9.10	13.00	14.10		
18	8.50	9.60	13.50	14.60	4.40	5.65
19	9.00	10.10	14.00	15.10		
20	9.50	10.60	14.50	15.60		
21	10.00	11.10	15.00	16.10		
22	10.50	11.60	15.50	16.60		
23	11.00	12.10	16.00	17.10		
24	11.50	12.60	16.50	17.60		
25	12.00	13.10	17.00	18.10		
26	12.50	13.60	17.50	18.60		
27	13.00	14.10	18.00	19.10		
28	13.50	14.60	18.50	19.60		
29	14.00	15.10	19.00	20.10		
30	14.50	15.60	19.50	20.60		
31	15.00	16.10	20.00	21.10		
32	15.50	16.60	20.50	21.60		
33	16.00	17.10	21.00	22.10		
34	16.50	17.60	21.50	22.60		
35	17.00	18.10	22.00	23.10		
36	17.50	18.60	22.50	23.60		
37	18.00	19.10	23.00	24.10		
38	18.50	19.60	23.50	24.60		
39	19.00	20.10	24.00	25.10		
40	19.50	20.60	24.50	25.60		
41	20.00	21.10	25.00	26.10		
42	20.50	21.60	25.50	26.60		
43	21.00	22.10	26.00	27.10		
44	21.50	22.60	26.50	27.60		
45	22.00	23.10	27.00	28.10		
46	22.50	23.60	27.50	28.60		
47	23.00	24.10	28.00	29.10	4.95	6.20
48	23.50	24.60	28.50	29.60		
49	24.00	25.10	29.00	30.10		
50	24.50	25.60	29.50	30.60		
51	25.00	26.10	30.00	31.10		
52	25.50	26.60	30.50	31.60		
53	26.00	27.10	31.00	32.10		
54	26.50	27.60	31.50	32.60		
55	27.00	28.10	32.00	33.10		
56	27.50	28.60	32.50	33.60		
57	28.00	29.10	33.00	34.10		
58	28.50	29.60	33.50	34.60		
59	29.00	30.10	34.00	35.10		
60	29.50	30.60	34.50	35.60		



No.	Description	Material	Color/Finish
a	Housing	LCP,UL94V-0	Natural
b	Actuator	LCP,UL94V-0	Black
c	Terminal	Phosphor Bronze	Matte Tin/Gold Flash
d	LEG	Brass	Matte Tin Plating Over Ni

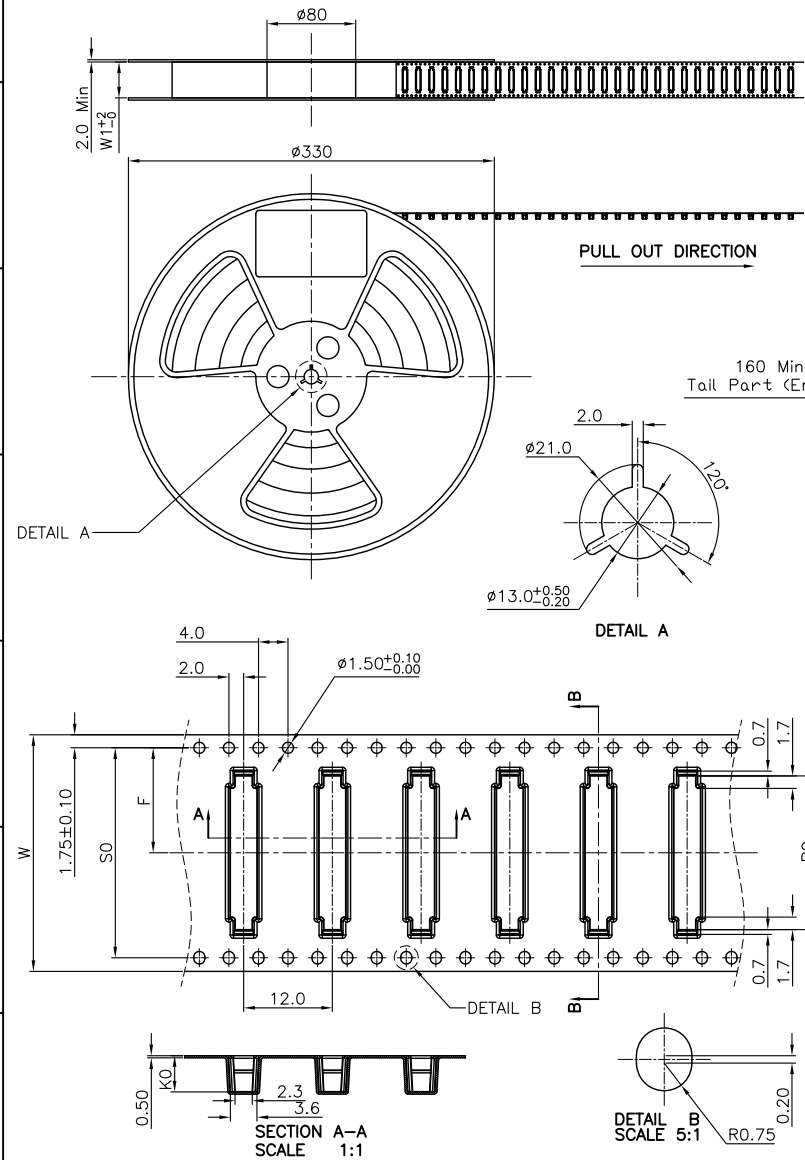
版次 REV.	日期 DATE	变更内容 DESCRIPTION	审核 CHK.	核准 APPD.
A0	17.02.08	换图框发行		

一般公差 GENERAL TOLERANCE		绘图 DR.	程功银
X.X ±0.25	X' ±2'	校对 CHK.	李兴泽
X.XX ±0.15	X.X' ±1'	审核 CHK.	李兴泽
X.XXX ±0.08	▲ MAJOR DIM.	核准 APPD.	杨章雄

料号 PART NO.	文件编号 NUMBER
40519W00-NPN-SHLxxTBx	ENDE05
品名 TITLE	FPC 0.5PITCH 4.40/4.95H ZIF CONNECTOR

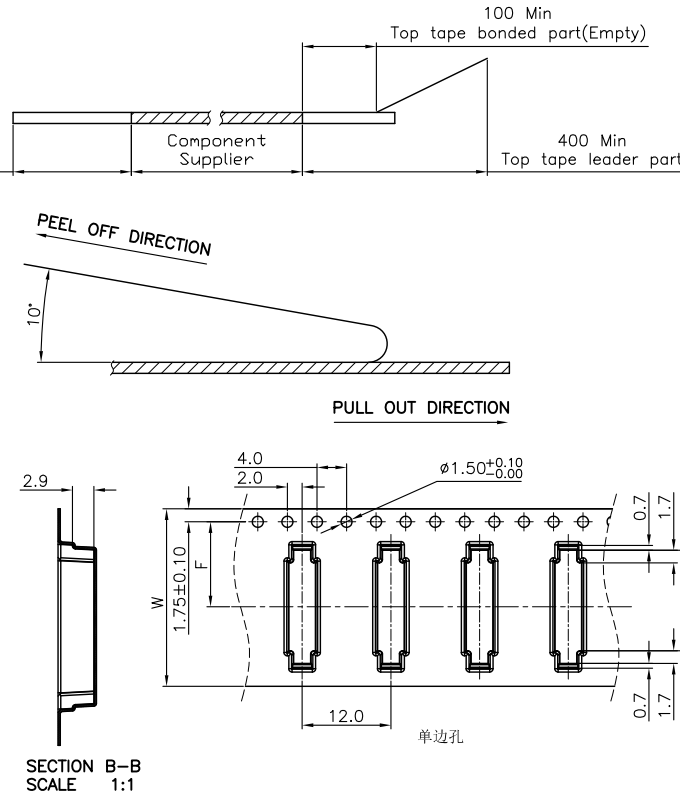
JCTC®		
TERMINAL&CONNECTORS		
比例 SCALE	SHEET	版次 REV.
1/1	1/1	A0

环保物料



NOTES:

1. 10 SPROCKET HOLE PITCH CUMULATIVE TOLERANCE. $\pm 0.20\text{mm}$
2. CARRIER CAMBER NOT TO EXCEED 1mm IN 250mm.
3. ALL DIMENSIONS MEET EIA-481-C REQUIREMENTS.
4. MATERIAL: BLACK ANTI-STATIC POLYSTYRENE.
5. THICKNESS: $0.50 \pm 0.05 \text{ mm}$.
6. PACKING LENGTH PER 13" REEL: 12.60 METERS.
7. COMPONENT LOAD PER 13" REEL: 1000PCS
8. PEELING OFF FORCE OF TOP TAPE $0.1\text{N} \sim 0.7\text{N}$ ($10.2\text{gf} \sim 100\text{gf}$).



CKTS	B0±0.10	K0±0.10	W	W1	F	S0±0.10
4	6.80					
5	7.30					
6	7.80		16+0.3/-0	16.4	7.5±0.10	
7	8.30					
8	8.80					
9	9.30					
10	9.80					
11	10.30					
12	10.80					
13	11.30					
14	11.80					
15	12.30		24+0.3/-0	24.4	11.5±0.10	
16	12.80					
17	13.30					
18	13.80					
19	14.30					
20	14.80					
21	15.30					
22	15.80					
23	16.30					
24	16.80					
25	17.30					
26	17.80					
27	18.30		32±0.30	32.4	14.2±0.10	28.4
28	18.80					
29	19.30					
30	19.80					
31	20.30					
32	20.80					
33	21.30					
34	21.80					
35	22.30					
36	22.80					
37	23.30					
38	23.80					
39	24.30					
40	24.80					
41	25.30					
42	25.80					
43	26.30					
44	26.80					
45	27.30					
46	27.80		44±0.30	44.4	20.2±0.15	40.4
47	28.30					
48	28.80					
49	29.30					
50	29.80					
51	30.30					
52	30.80					
53	31.30					
54	31.80					
55	32.30					
56	32.80					
57	33.30					
58	33.80					
59	34.30		56±0.30	56.4	26.2±0.15	52.4
60	34.80					

		一般公差 GENERAL TOLERANCE		绘图 DR.	程功银	料号 PART NO.	文件编号 NUMBER		
		X.X ±0.25	X' ±5'	校对 CHK.	李兴泽	40519W00-NPN-SHLxxTxx	ENDE05		
		X.XX ±0.15	X.X' ±2'	审核 CHK.	李兴泽	品名 TITLE	比例 SCALE 1/1 SHEET 1/1 版次 REV. A0		
		X.XXX ±0.08	▲ MAJOR DIM.	核准 APPD.	杨章雄	FPC 0.5PITCH 4.40/4.95H ZIF CONNECTOR			
A0	17.02.08	换图框发行	李兴泽						
版次 REV.	日期 DATE	变更内容 DESCRIPTION	审核 CHK.	核准 APPD.					