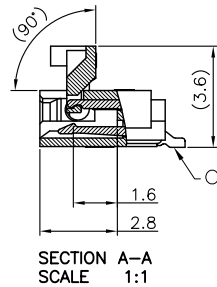
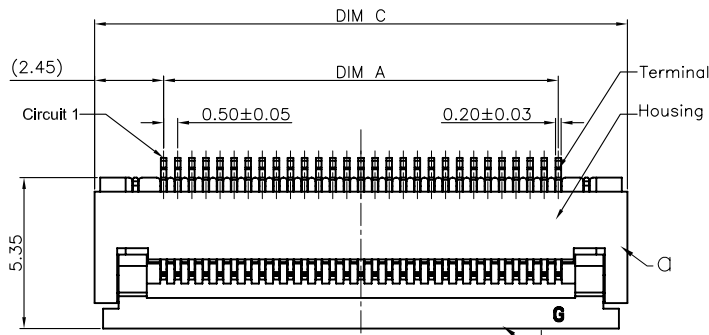


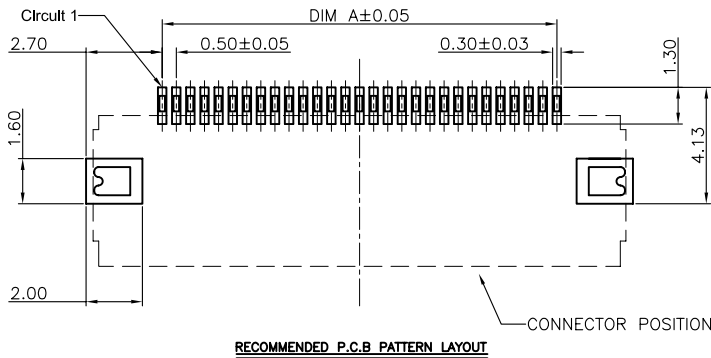
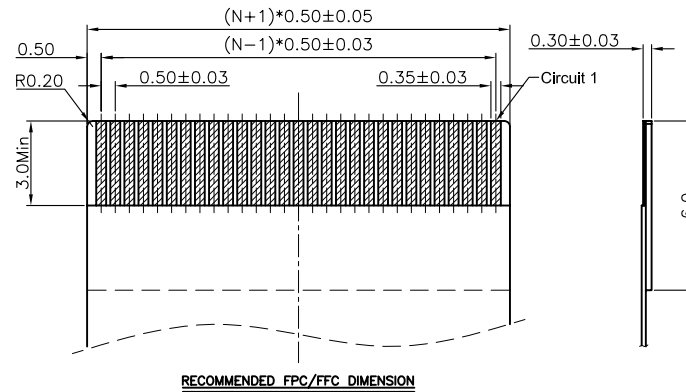
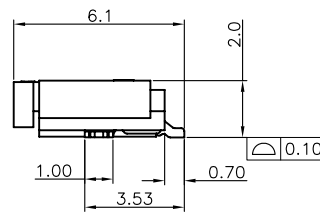
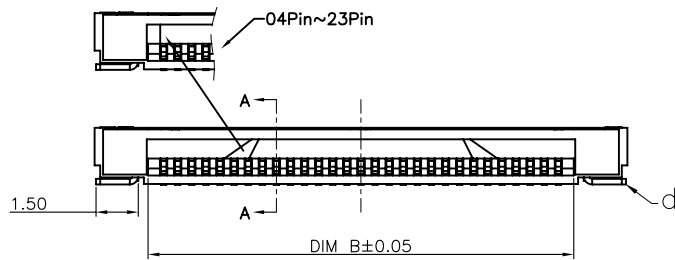
# 环保物料



Voltage Rating : 50V 50V AC/DC  
 Current Rating : 0.5A 50V AC/DC  
 Withstand Voltage : 250V AC/minute  
 Contact Resistance : 30mΩ(MAX.)  
 Insulation Resistance : 100MΩ(MIN.)  
 Temperature Range : -40°C~+105°C

40558W90-NPN-S H L xx T B R  
 ① ② ③ ④ ⑤ ⑥ ⑦ ⑧ ⑨ ⑩ ⑪

- ① Series No.
- ② W90 :Right angle
- ③ No. of Circuits
- ④ Color: N=Natural
- ⑤ S: SMT type
- ⑥ H=Halogen Free
- ⑦ Material: L=LCP
- ⑧ Plating for contacts:  
 2E=Matte Tin-plated  
 OA=Gold-flash on contact area
- ⑨ Plating for solder area:  
 T=Matte Tin-plating
- ⑩ Assembly Style  
 B=Bottom Contacts
- ⑪ R=Tape & Reel

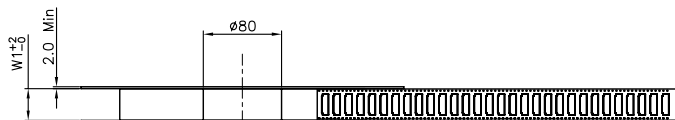


CKTS	DIM A	DIM B	DIM C
4	1.50	2.60	6.40
5	2.00	3.10	6.90
6	2.50	3.60	7.40
7	3.00	4.10	7.90
8	3.50	4.60	8.40
9	4.00	5.10	8.90
10	4.50	5.60	9.40
11	5.00	6.10	9.90
12	5.50	6.60	10.40
13	6.00	7.10	10.90
14	6.50	7.60	11.40
15	7.00	8.10	11.90
16	7.50	8.60	12.40
17	8.00	9.10	12.90
18	8.50	9.60	13.40
19	9.00	10.10	13.90
20	9.50	10.60	14.40
21	10.00	11.10	14.90
22	10.50	11.60	15.40
23	11.00	12.10	15.90
24	11.50	12.60	16.40
25	12.00	13.10	16.90
26	12.50	13.60	17.40
27	13.00	14.10	17.90
28	13.50	14.60	18.40
29	14.00	15.10	18.90
30	14.50	15.60	19.40
31	15.00	16.10	19.90
32	15.50	16.60	20.40
33	16.00	17.10	20.90
34	16.50	17.60	21.40
35	17.00	18.10	21.90
36	17.50	18.60	22.40
37	18.00	19.10	22.90
38	18.50	19.60	23.40
39	19.00	20.10	23.90
40	19.50	20.60	24.40
41	20.00	21.10	24.90
42	20.50	21.60	25.40
43	21.00	22.10	25.90
44	21.50	22.60	26.40
45	22.00	23.10	26.90
46	22.50	23.60	27.40
47	23.00	24.10	27.90
48	23.50	24.60	28.40
49	24.00	25.10	28.90
50	24.50	25.60	29.40
51	25.00	26.10	29.90
52	25.50	26.60	30.40
53	26.00	27.10	30.90
54	26.50	27.60	31.40
55	27.00	28.10	31.90
56	27.50	28.60	32.40
57	28.00	29.10	32.90
58	28.50	29.60	33.40
59	29.00	30.10	33.90
60	29.50	30.60	34.40

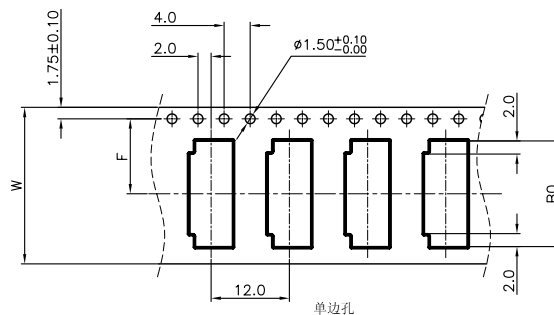
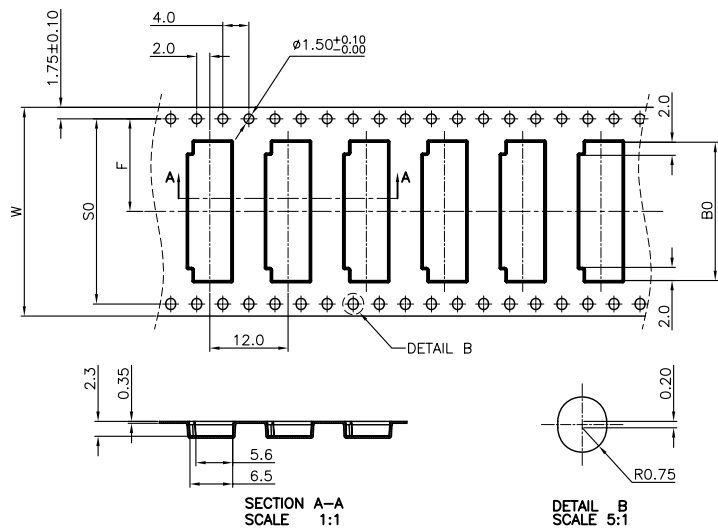
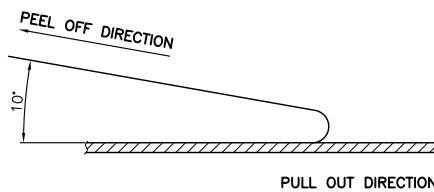
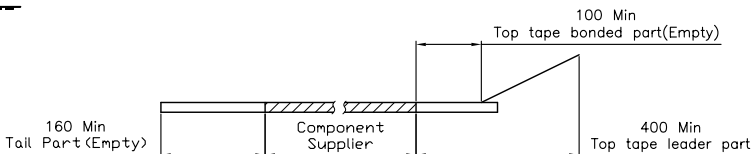
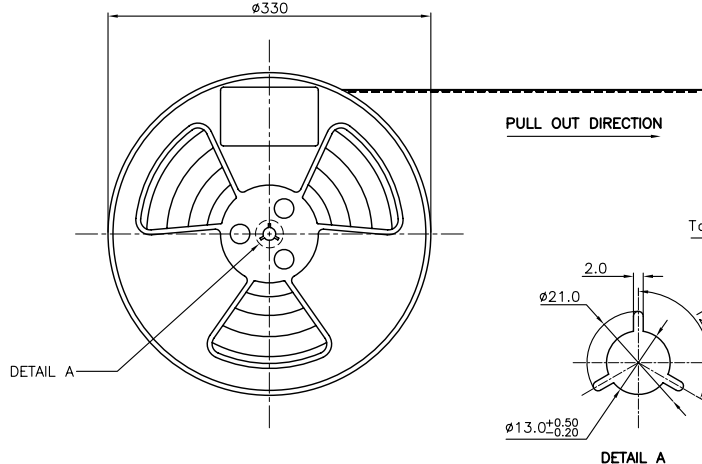
No.	Description	Material	Color/Finish
a	Housing	LCP,UL94V-0	Natural
b	Actuator	LCP,UL94V-0	Black
c	Terminal	Phosphor Bronze	Matte Tin/Gold Flash
d	LEG	Phosphor Bronze	Matte Tin Plating Over Ni

				一般公差 GENERAL TOLERANCE		绘图 DR. 李兴泽	料号 PART NO. 40558W90-NPN-SHLxxTBR		文件编号 NUMBER ENDE05		 TERMINAL&CONNECTORS	
C1	20.08.26	更新图框发行	李兴泽	杨章雄	X.X ±0.25 X' ±2'	校对 CHK. 杨章雄	品名 TITLE		FPC 0.5 Pitch 2.0H ZIF R/A Connector			
C0	17.02.08	换图框发行	李兴泽	杨章雄	X.XX ±0.15 X.X' ±1'	审核 CHK.	FPC 0.5 Pitch 2.0H ZIF R/A Connector				SHEET 1/2	版次 REV. C1
版次 REV.	日期 DATE	变更内容 DESCRIPTION	审核 CHK.	核准 APPD.	单位 UNIT mm	核准 APPD.						

# 环保物料



- NOTES:
- 10 SPROCKET HOLE PITCH CUMULATIVE TOLERANCE:  $\pm 0.20\text{mm}$
  - CARRIER CAMBER NOT TO EXCEED 1mm IN 250mm.
  - ALL DIMENSIONS MEET EIA-481-C REQUIREMENTS.
  - MATERIAL: BLACK ANTI-STATIC POLYSTYRENE.
  - THICKNESS:  $0.35 \pm 0.05 \text{ mm}$ .
  - PACKING LENGTH PER 13" REEL : 24.60METERS.
  - COMPONENT LOAD PER 13" REEL : 2000PCS.
  - PEELING OFF FORCE OF TOP TAPE 0.1N~0.7N(10.2gf~100gf).



CKTS	B0±0.10	W	W1	F	S0±0.10
4	6.70	16+0.3/-0	16.4	7.5±0.10	单边孔
5	7.20				
6	7.70				
7	8.20				
8	8.70				
9	9.20				
10	9.70				
11	10.20				
12	10.70				
13	11.20				
14	11.70				
15	12.20				
16	12.70				
17	13.20				
18	13.70				
19	14.20				
20	14.70				
21	15.20				
22	15.70				
23	16.20				
24	16.70				
25	17.20				
26	17.70				
27	18.20				
28	18.70				
29	19.20				
30	19.70				
31	20.20				
32	20.70				
33	21.20				
34	21.70				
35	22.20				
36	22.70				
37	23.20				
38	23.70				
39	24.20				
40	24.70				
41	25.20				
42	25.70				
43	26.20				
44	26.70				
45	27.20				
46	27.70				
47	28.20				
48	28.70				
49	29.20				
50	29.70				
51	30.20				
52	30.70				
53	31.20				
54	31.70				
55	32.20				
56	32.70				
57	33.20				
58	33.70				
59	34.20				
60	34.70				
		24+0.3/-0	24.4	11.5±0.10	
		32±0.30	32.4	14.2±0.10	28.4
		44±0.30	44.4	20.2±0.15	40.4
		56±0.30	56.4	26.2±0.15	52.4

版次 REV.	日期 DATE	变更内容 DESCRIPTION	审核 CHK.	核准 APPD.
C1	20.08.26	更新图框发行	李兴泽	杨章雄
C0	17.02.08	换图框发行	李兴泽	杨章雄

一般公差 GENERAL TOLERANCE	
X.X ±0.25	X' ±5'
X.XX ±0.15	X.X' ±2'
X.XXX ±0.08	▲ MAJOR DIM.
单位 UNIT	mm

绘图 DR.	李兴泽
校对 CHK.	杨章雄
审核 CHK.	
核准 APPD.	

料号 PART NO.	40558W90-NPN-SHLxxTBR
品名 TITLE	FPC 0.5 Pitch 2.0H ZIF R/A Connector

文件编号 NUMBER	ENDE05
-------------	--------

比例 SCALE	SHEET	版次 REV.
1/1	1/1	C1