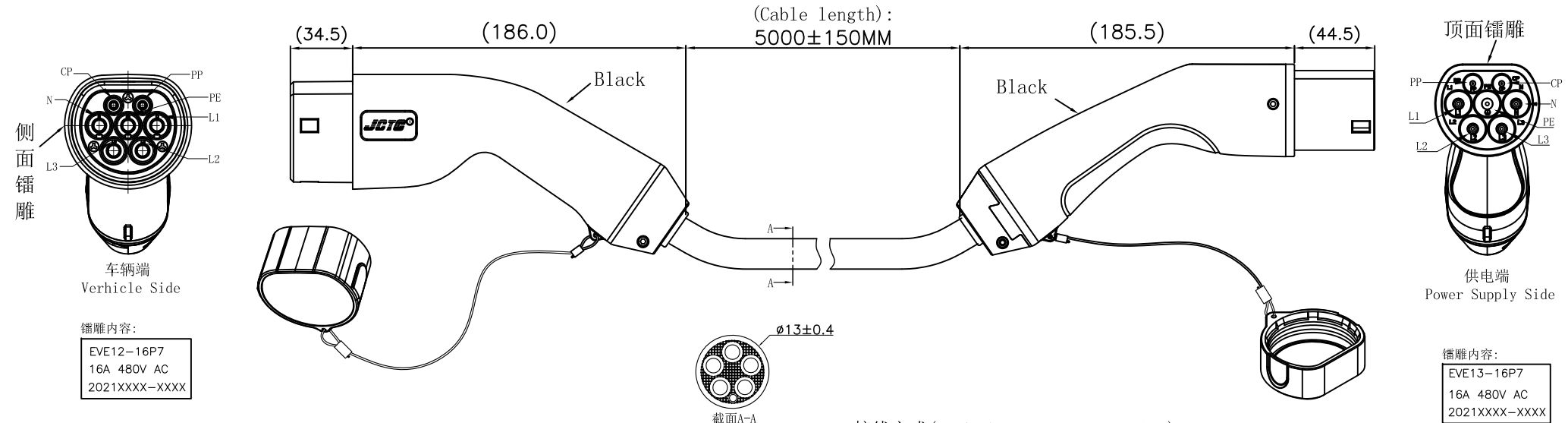


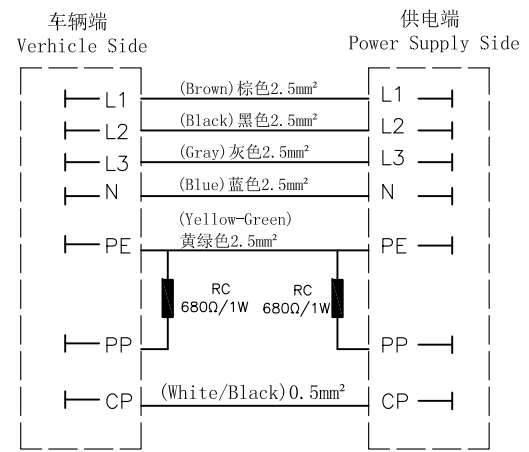
充电插头:根据IEC62196-1 2014, IEC62196-2 2016标准  
 Charging plug:according to IEC62196-1 2014, IEC62196-2 standard



镭雕内容:  
 EVE12-16P7  
 16A 480V AC  
 2021XXXX-XXXX

镭雕内容:  
 EVE13-16P7  
 16A 480V AC  
 2021XXXX-XXXX

接线方式(Method of connecting wire)



主要参数(MAIN PARAMETERS)  
 额定电流:16A ( Rated current:16A)  
 额定电压:480V AC ( Rated voltage:480V AC)  
 绝缘电阻:>1000MΩ (DC500V) (insulation resistance:>1000MΩ DC500V)  
 接触阻抗:0.5mΩ Max(Contact impedance:0.5mΩ Max)  
 耐压:2000V (withstand voltage:2000V)  
 胶壳防火等级:UL94-V0(Fireproof grade of rubber shell:UL94-V0)  
 机械寿命:空载插拔>10000(Mechanical life:unloaded plugged:>10000)  
 防水等级:IP55(插合后) (Waterproof grade:IP55(mating))  
 胶壳:热塑性塑胶(Plastic shell:thermoplastic plastic)  
 导体:铜合金, 表面镀银(Conductor:copper alloy, silver plated surface)  
 工作环境温度:-30℃~+50℃(Working environment temperature lated:-30℃~+50℃)  
 端子温升:<50K(Terminal temperature rise ture:-30℃~+50℃)  
 耦合插拔力:<100N(Insertion and Extraction Force:<100N)

REV.	REVISION RECORD	DATE		GENERAL TOLERANCES		SCALE: 1:1	NAME	DATE	胜蓝科技股份有限公司 TERMINAL&CONNECTORS 东莞市富智达电子科技有限公司	PART. NO: EVE14-16P7-50042	
AO	新版发行	20210419		LINEAR	ANGLES	APPROVED					
			0.0±0.25	X° REF±6°	DESIGNER			REV: AO		SHEET: 1/1	
			UNIT: MM	0.00±0.15	X° ±3°	DRAWN	CZH	TITLE: 欧标双头交流充电枪16A(三相)			
			SIZE: A4	0.000±0.08	X° X'±2°						