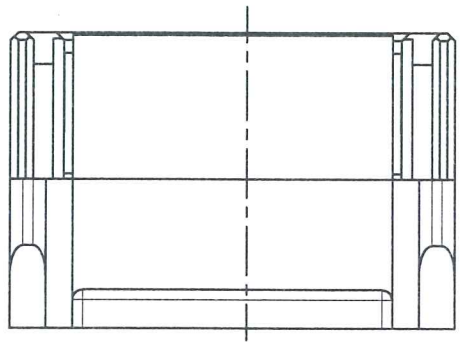
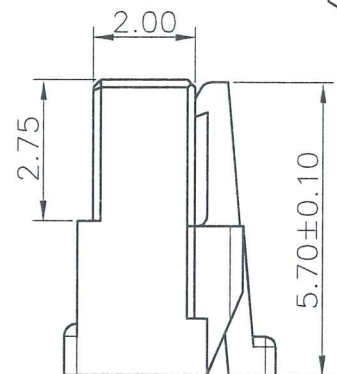
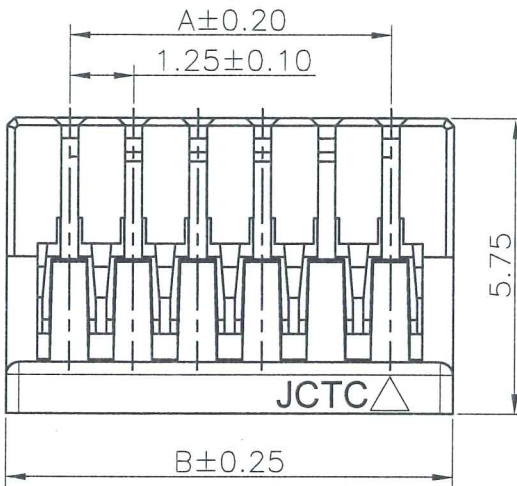


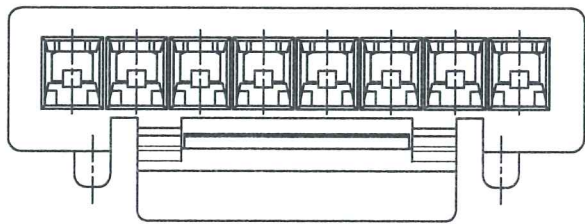
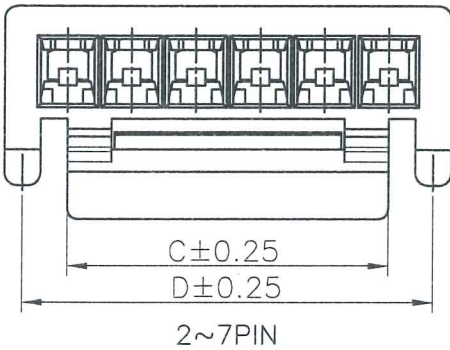
11257H00-NP-L-HF
① ② ③ ④ ⑤

- ① Series No.
- ② H90 : Side Contact
H00 : Up Contact
- ③ No. of Circuits
- ④ L : Mount type
- ⑤ HF : Halogen Free

Specifications:
Voltage Rating : 50V AC/DC
Current Rating : 1A AC,DC
Withstand Voltage : 500V AC/minute
Contact Resistance : 30mΩ(MAX.)
Insulation Resistance : 100MΩ(MIN.)
Temperature Range : -25°C~+85°C
The product using material and processing must conform to the "WI-PZ-142" HSF technical standard control requirements



Circuits Part No	Dimensions			
	A	B	C	D
2P	--	3.65	1.95	3.20
3P	2.50	4.90	3.00	4.20
4P	3.75	6.15	4.25	5.45
5P	5.00	7.40	4.25	6.70
6P	6.25	8.65	6.25	8.00
7P	7.50	9.90	6.25	9.25
8P	8.75	11.15	6.25	8.00
9P	10.00	12.40	6.25	8.00
10P	11.25	13.65	8.25	10.00
11P	12.50	14.90	8.25	10.00
12P	13.75	16.15	8.25	10.00
13P	15.00	17.40	8.25	10.00
14P	16.25	18.65	8.25	10.00
15P	17.50	19.90	8.25	10.00



Suitable for JCTC 11257 series terminal

Part No.	Material	Color
11257H00-NP-L	PBT,UL 94V-0	Natural(White)
11257H00-NP-L-HF	Nylon 66,UL 94V-0	Natural(White)
11257H00-NPA-L-HF	Nylon 66,UL 94V-0	Black

REV.	REVISION RECORD	DATE	GENERAL TOLERANCES		SCALE:	NAME	DATE	PART. NO:	DWG. NO:	 TERMINAL&CONNECTORS REV: A0 SHEET: 1/1
D2	HN1411140189	14. 12. 09	LINEAR	ANGLES	1:1			11257H00-NP-L-XX	ENDE05	
D3	变更公司名称	17. 05. 04	0.0±0.25	X° REF±6°	APPROVED	Nelson	21.08.28			
D4	HN2103010038	21. 03. 01	0.00±0.15	X° ±3°	DESIGNER	mu	21.08.28	TITLE:		
D5	新增淡蓝色规格	21. 08. 28	0.000±0.08	X° X' ±2°	DRAWN	QYX	21. 08. 28	GHR 1.25mm PITCH HOUSING		