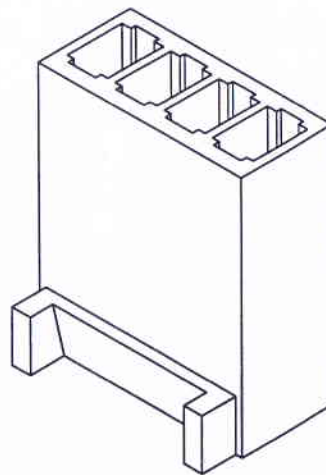


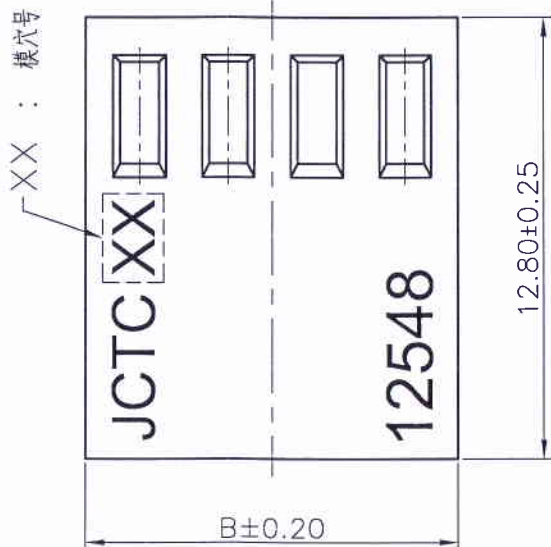
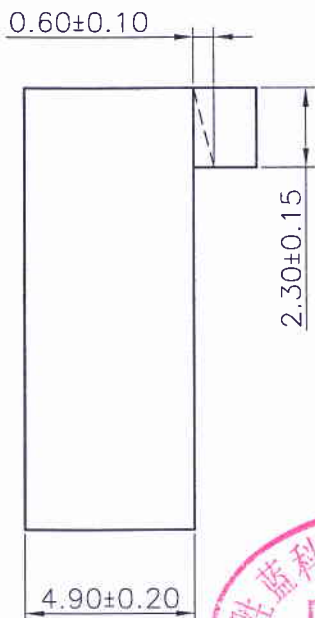
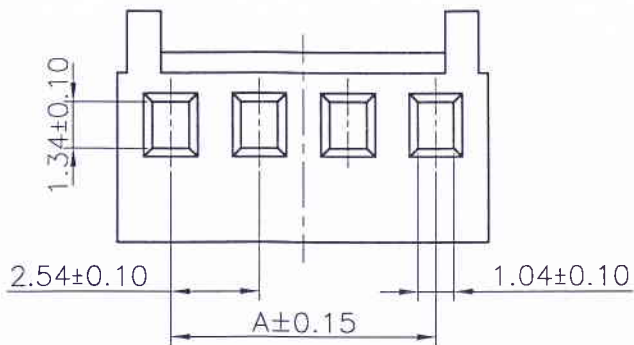
RoHS

Specifications:

Rated Voltage : 250V AC/DC  
 Rated Current : 2.5A AC,DC  
 Withstand Voltage : 1500V AC/minute  
 Contact Resistance : 20mΩ(MAX.)  
 Insulation Resistance : 1000MΩ(MIN.)  
 Temperature Range : -25°C~+85°C  
 Pitch Between Poles : 2.54mm



Circuits Part No	Dimensions	
	A	B
2P	2.54	5.60
3P	5.08	8.14
4P	7.62	10.68
5P	10.16	13.22
6P	12.70	15.76
7P	15.24	18.30
8P	17.78	20.84
9P	20.32	23.38
10P	22.86	25.92
11P	25.40	28.46
12P	27.94	31.00
13P	30.48	33.54
14P	33.02	36.08
15P	35.56	38.62
16P	38.10	41.16
17P	40.64	43.70
18P	43.18	46.24
19P	45.72	48.78
20P	48.26	51.32



12548H00-NPX-HF

① ② ③④ ⑤

- ① Series No.
- ② H90 : Side Contact  
H00 : Up Contact
- ③ No. of Circuits
- ④ X : Product color(A--Y)  
Blank: Natural type
- ⑤ HF : Halogen Free

Suitable for JCTC 12543 series terminal

Part No.	Material	Color
12548H00-NPB	Nylon66,UL 94V-0	棕色
12548H00-NPK	Nylon66,UL 94V-0	白色
12548H00-NPA	Nylon66,UL 94V-0	黑色
12548H00-NPK-HF	Nylon66,UL 94V-0	白色无卤
12548H00-NPB-HF	Nylon66,UL 94V-0	棕色无卤



REV.	REVISION RECORD	DATE	GENERAL TOLERANCES	SCALE:	NAME	DATE	JCTC® 胜蓝科技股份有限公司 TERMINAL&CONNECTORS 东莞市富智达电子科技有限公司	PART. NO:
C1	新增颜色规格	10.12.06	LINEAR	1:1				
C2	新增颜色规格	14.10.18	ANGLES					DWG. NO:
C3	新增棕色无卤规格	16.03.31	0.0±0.25 X° REF±6°					ENDE05
C4	更新公司名称	17.03.20	0.00±0.15 X° ±3°					REV: C4 SHEET: 1/1
			0.000±0.08 X° X'±2°				TITLE:	
							2.54mm PITCH HOUSING	